

b

HIGH SPEED AUTOMATIC EMBROIDERY MACHINE

**BEDYHE-ZQ-C**

**PARTS LIST**

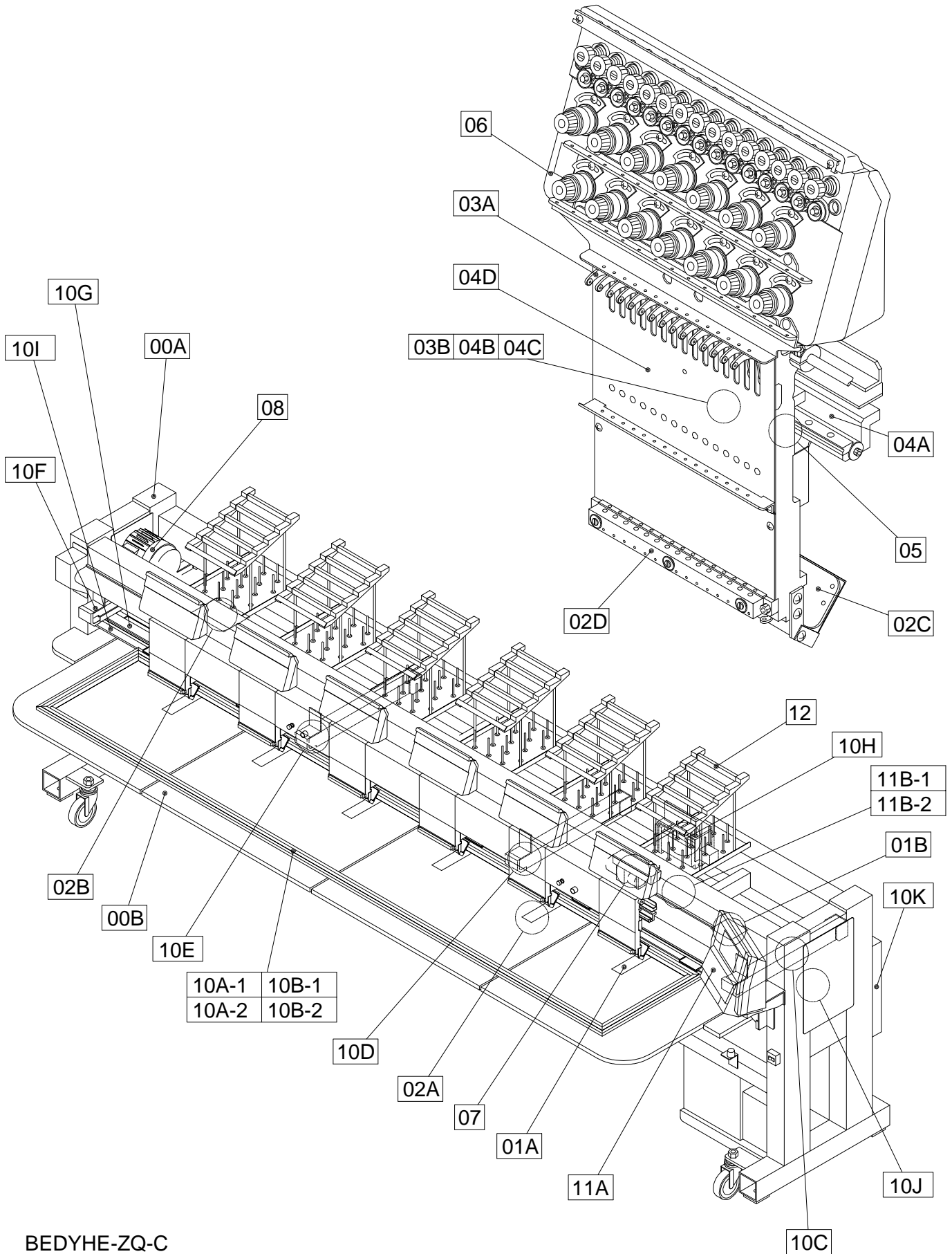
# BEDYHE-ZQ-C

## HIGH SPEED AUTOMATIC EMBROIDERY MACHINE

### CONTENTS

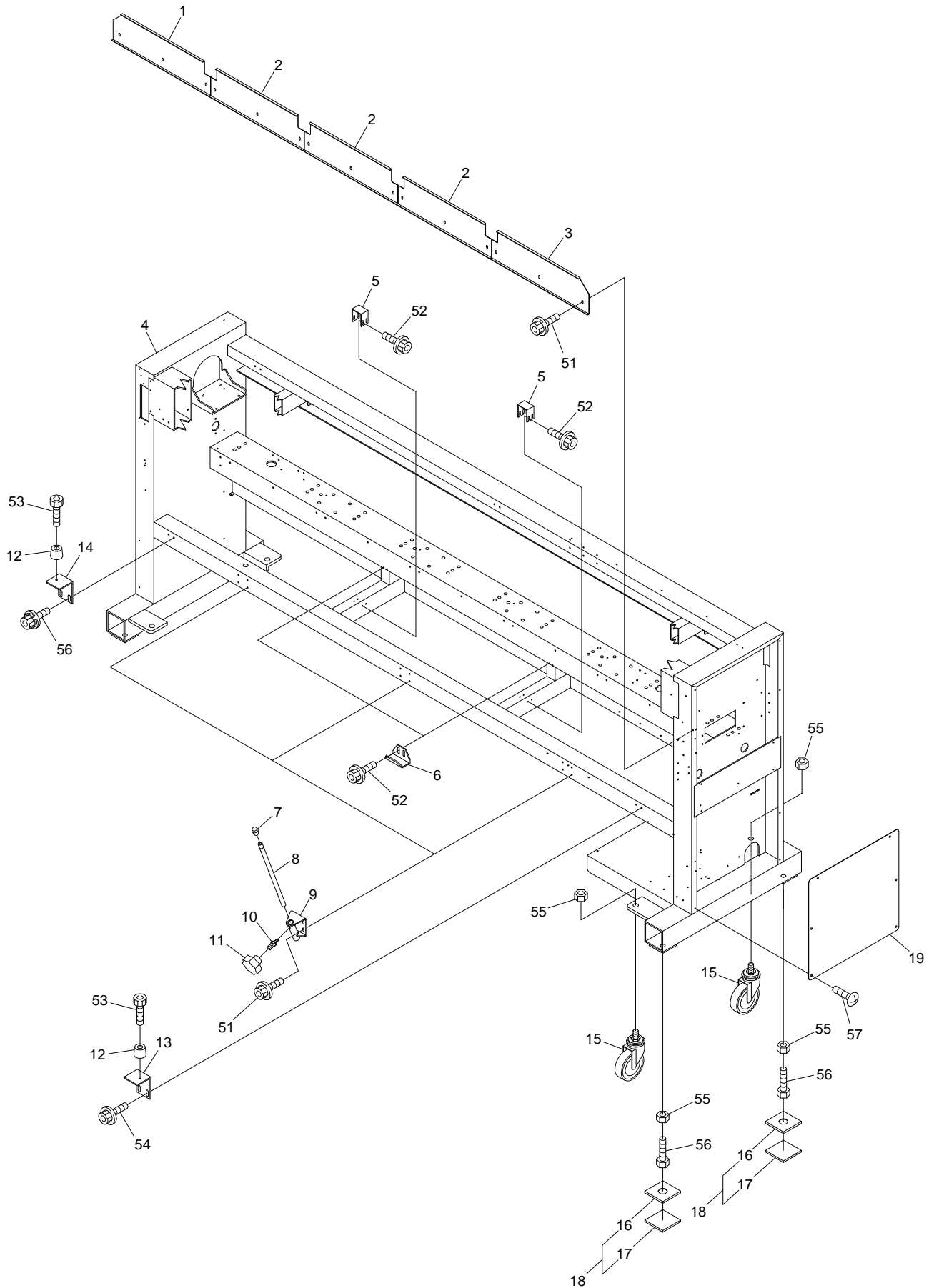
Machine layout (BENYHE-ZQ-C)	07	Color change
00A-1 Table-Frame A (2T/4T)	08-1	Drive (2T/4T)
00A-2 Table Frame A (6T)	08-2	Drive (6T)
00B Table Frame B	10A	Pantograph drive A (QS)
01A Head Bed A	10B	Pantograph drive B (QS)
01B Head Bed B	10C	Pantograph drive C
02A Thread Cut A	10D	Pantograph drive D
02B Thread Cut B	10E	Pantograph drive E
02C Thread Cut C	10F	Pantograph drive F
02D Thread Cut D	10G	Pantograph drive G
03A Take up lever A	10H	Pantograph drive H
03B Take up lever B	10I	Pantograph drive I
04A Needle bar A	10J	Pantograph drive J
04B Needle bar B	10K	Pantograph drive K
04C Needle bar C	11A	Control A
04D Needle bar D	11B-1	Control A (2T/4T)
05 Jump	11B-2	Control B (6T)
06 Thread Guide	12	Accessories

# Machine layout (BEDYHE-ZQ-C)



BEDYHE-ZQ-C

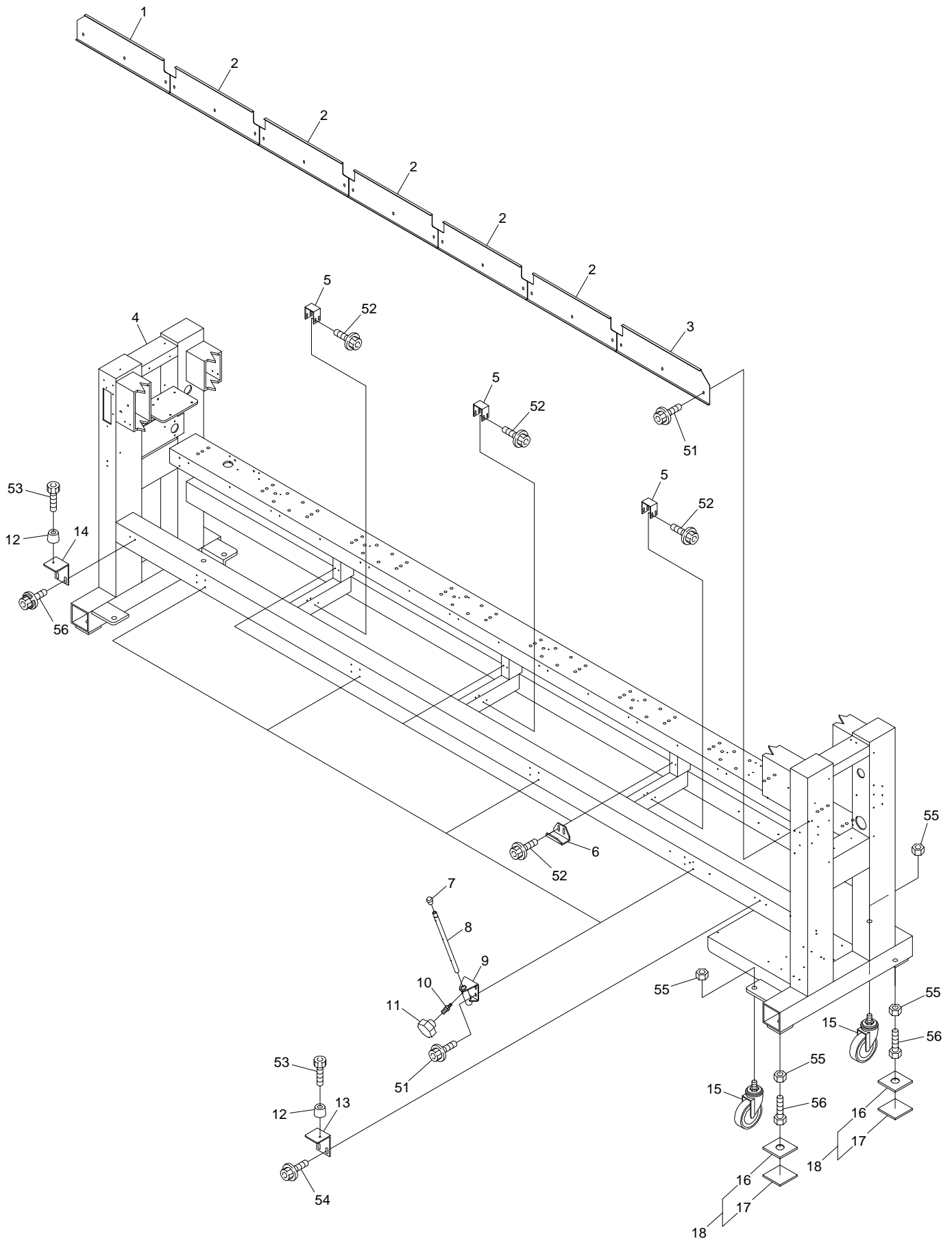
00A-1 Table\Frame A(2T/4T)



BENYHE-YN-C    BEDYHE-YN-C    BENYHE-ZQ-C    BEDYHE-ZQ-C  
 BENBHE-YN-C                         BENBHE-ZQ-C



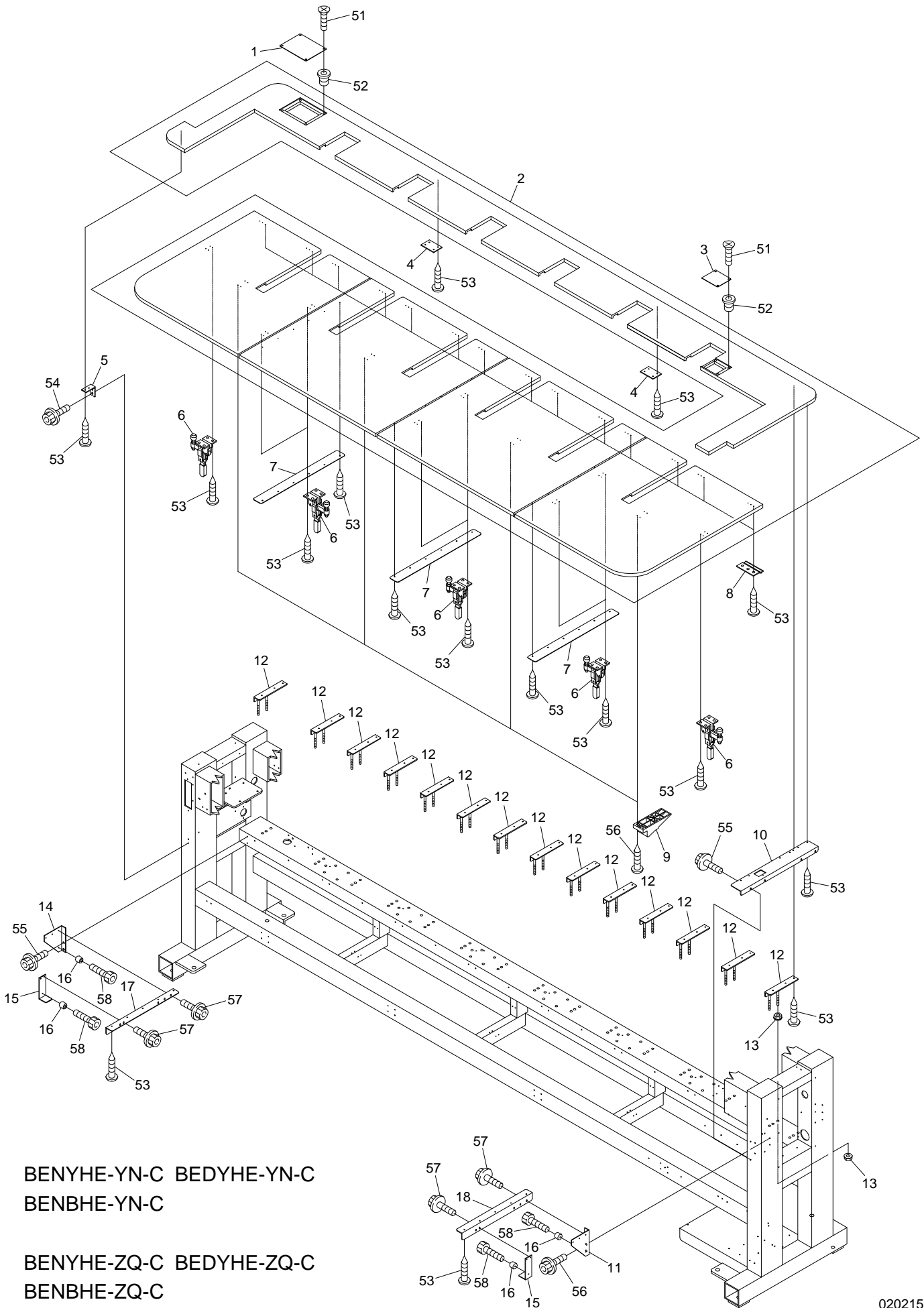
00A-2 Table\Frame A(6T)



BENYHE-YN-C    BEDYHE-YN-C    BENYHE-ZQ-C    BEDYHE-ZQ-C  
 BENBHE-YN-C                         BENBHE-ZQ-C



00B TableFrame B

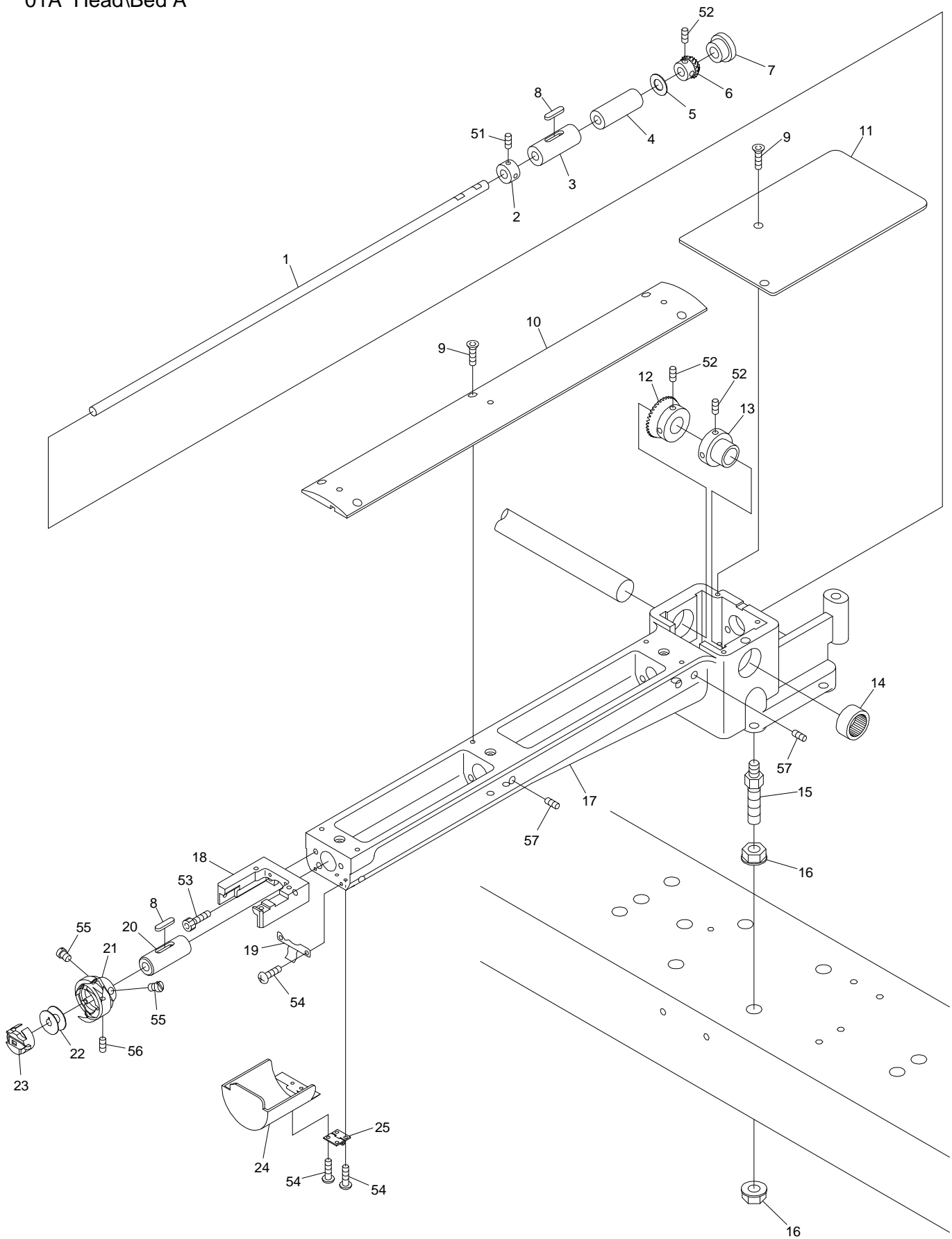




## 00B TABLE - FRAME B

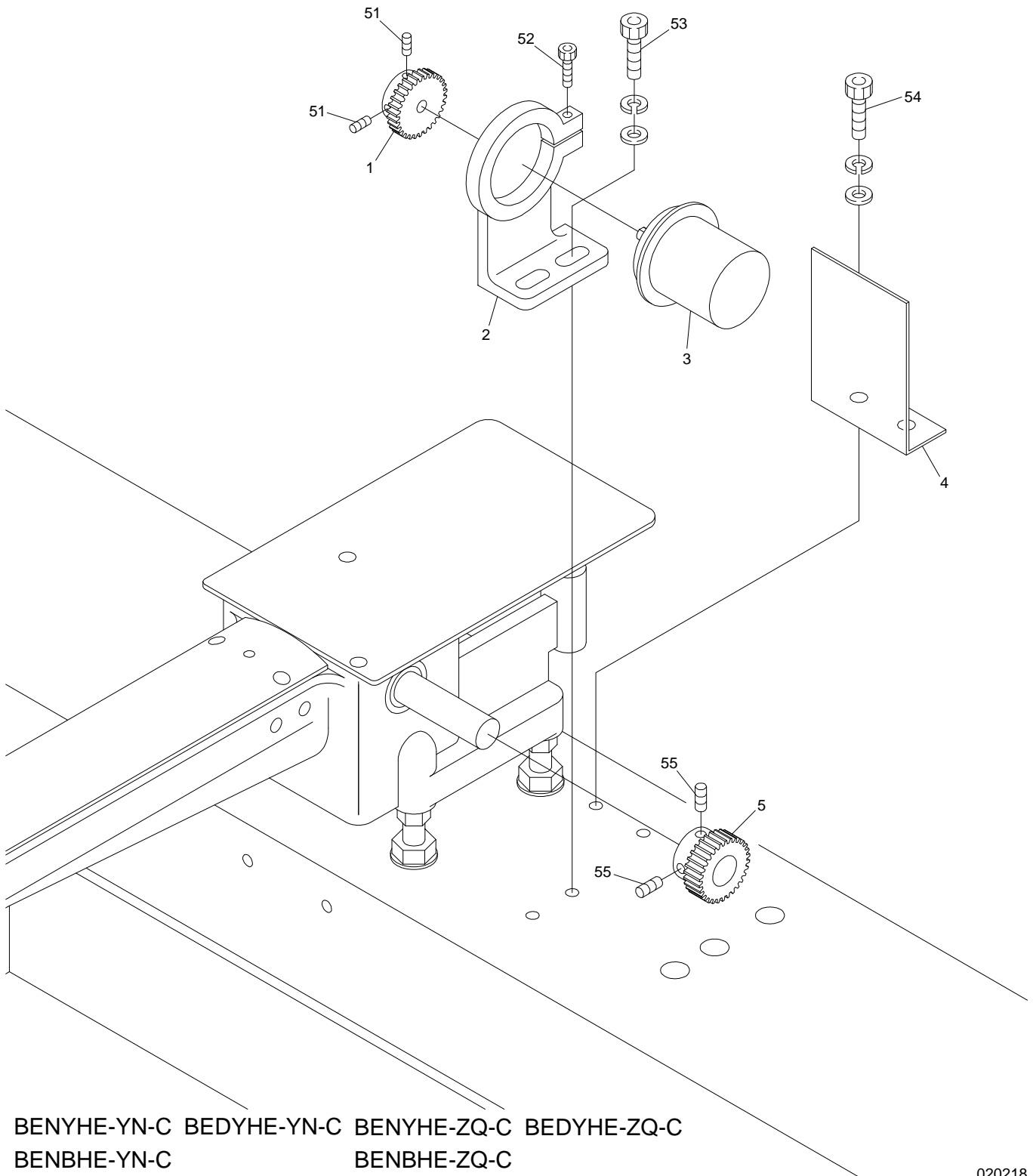
ITEM	LIST NO.	DESCRIPTION	Q'TY	NOTE
1	SC120030	Thread cut service cover	1	
2	SJ120000	Table BEDYHE-ZQ-C02 450x520/520	1	2T
	SJ120010	Table BEDYHE-ZQ-C04 450x520/520	1	4T
	SJ120030	Table BEDYHE-ZQ-C06 450x520/520	1	6T
3	SC120040	Encoder service cover	1	
4	RQ120080	Jointed plate	2	
5	SC140090	Table support angle	1	
6	A9013070	Toggle clamp(KAKUTA No.40A)	2	2T
			6	4T
			8	6T
7	SC120010	Joint plate	2	4T
			3	6T
8	HM140120	Table stopper(Front)	6	2T
			10	4T
			14	6T
9	SC120020	Table stand stopper	2	2T
			3	4T
			4	6T
10	SJ140020	R-side stand table support(DYHE)	1	
11	SJ140010	LH-table support bracket(DYHE)	1	
12	SC140140	Table support(L=200)	6	2T
			10	4T
			14	6T
13	SC210010	Adjust nut M10	24	2T
			40	4T
			56	6T
14	SJ140000	RH-table support bracket(DYHE)	1	
15	SC140040	Table support stay	2	
16	A9014163	Color rubber foot(C-30-FRB-3225)	4	
17	SC140030	LH-table support	1	
18	SC140020	RH-table support	1	
51		Flush screw(Under cut) M4x8		
52		Rag nut(C) M4		
53		Pierce screw M5x19		
54		Hex.socket flange bolt M6x12		
55		Hex.socket flange bolt M6x12(Uni chrome)		
56		Pierce screw M5x23		
57		Hex.socket flange bolt M5x10(Uni chrome)		
58		Hex.socket bolt M5x15(Black)		

01A Head\Bed A



BENYHE-YN-C BEDYHE-YN-C BENYHE-ZQ-C BEDYHE-ZQ-C  
 BENBHE-YN-C BENBHE-ZQ-C

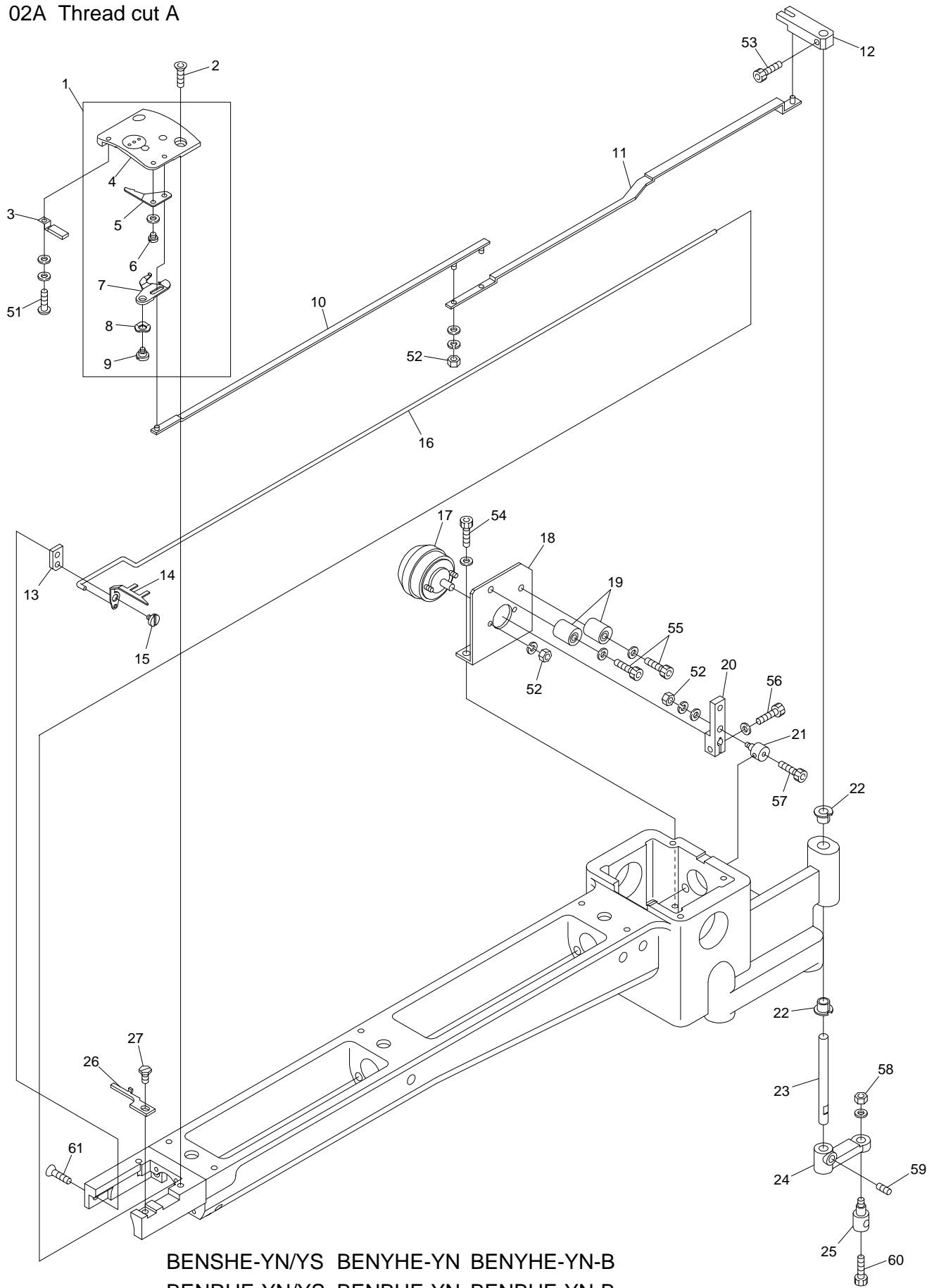




BENYHE-YN-C BEDYHE-YN-C BENYHE-ZQ-C BEDYHE-ZQ-C  
BENBHE-YN-C BENBHE-ZQ-C



02A Thread cut A



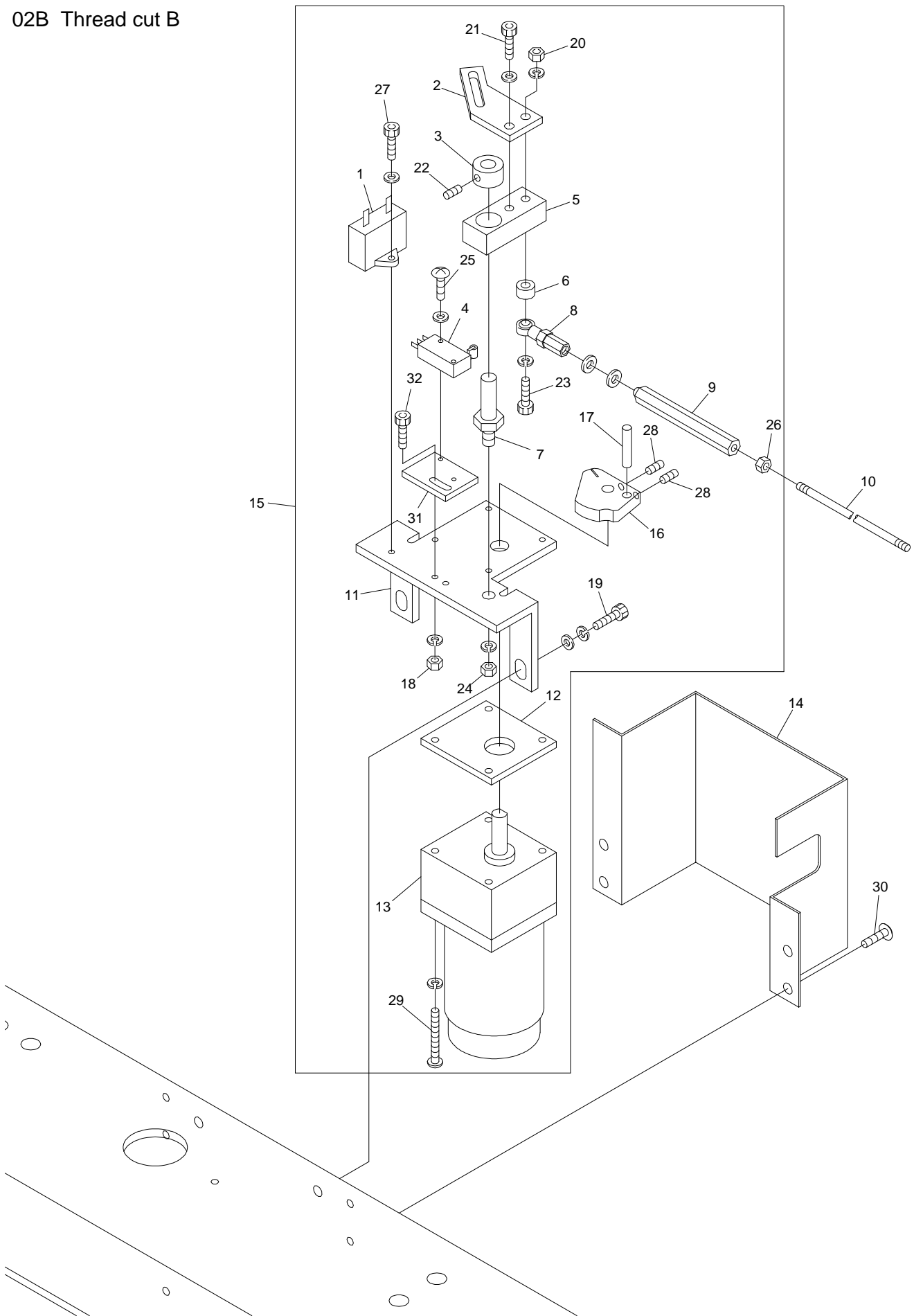
BENSHE-YN/YS BENYHE-YN BENYHE-YN-B  
 BENSHE-YN/YS BENBHE-YN BENBHE-YN-B

BENYHE-YN-C BEDYHE-YN-C BENYHE-ZQ BENYHE-ZQ-B BENYHE-ZQ-C BEDYHE-ZQ-C  
 BENBHE-YN-C BENBHE-ZQ BENBHE-ZQ-B BENBHE-ZQ-C

## 02A THREAD CUT A

ITEM	LIST NO.	DESCRIPTION	Q'TY	NOTE
1	KX270283	Cylinder throat plate(Short type) a'ssy	Hx1	
2	KX250080	Throat plate set screw(Hex.socket)	Hx2	
3	HT270181	Lower thread support stay(Cylinder) CMP	Hx1	
4	KX270023	Cylinder throat plate(Short type)	Hx1	
5	KN270961	Fixed knife	Hx1	
6	KX270010	Fixed knife set screw	Hx1	
7	KN270952	Drive knife	Hx1	
8	A9013066	Wave washer(WW5)(SK)	Hx1	
9	KN272010	Lower thread knife rotary shaft	Hx1	
10	HS210111	Lower thread knife drive rod A	Hx1	
11	HS210121	Lower thread knife drive rod B	Hx1	
12	HS210100	Lower thread knife drive lever upper	Hx1	
13	HS210051	Hook fixed stay(Short type)	Hx1	
14	HS210300	Hook(Cylinder MK5)	Hx1	
	HS210142	Hook(For middle bobbin)	Hx1	
15	KC271001	Upper thread knife rotary shaft	Hx1	
16	HS210070	Hook drive rod	Hx1	
17	A9056030	Rotary solenoid 3ER25-35x3x8x9 M960371R(ETL)	Hx1	
18	SJ210040	Solenoid stay(Short small bobbin)	Hx1	
	HS210060	Solenoid stay(For middle bobbin)	Hx1	
19	KN272401	Stopper eccentric	Hx2	
20	KC271940	Soleroid lever A	Hx1	
21	HS210080	Connecting clamp	Hx1	
22	A9011173	DU bush with flange(MB0606-12FDU)	Hx2	
23	HS210090	Knife lever rotary shaft	Hx1	
24	KN271560	Knife lever	Hx1	
25	MT272500	Connecting bar clamp	Hx1	NSHE/NRHE
	HM270000	Connecting bar clamp	Hx1	Except for NSHE/NRHE
26	KX270000	Rotating hook bobbin case holder position bracket	Hx1 Hx1	
27	KX270430	Screw(Cylinder)	Hx1	
51		Pan screw M3x3		
52		Hex.nut M3		
53		Hex.socket bolt M4x6		
54		Hex.socket bolt M4x8(With plain washer)		
55		Hex.socket bolt M4x18		
56		Hex.socket bolt M4x10		
57		Hex.socket bolt M3x5		
58		Hex.nut M4		
59		Hex.socket set screw M5x6		
60		Hex.socket bolt M4x8		
61		Hex.socket flush screw M4x6		

02B Thread cut B

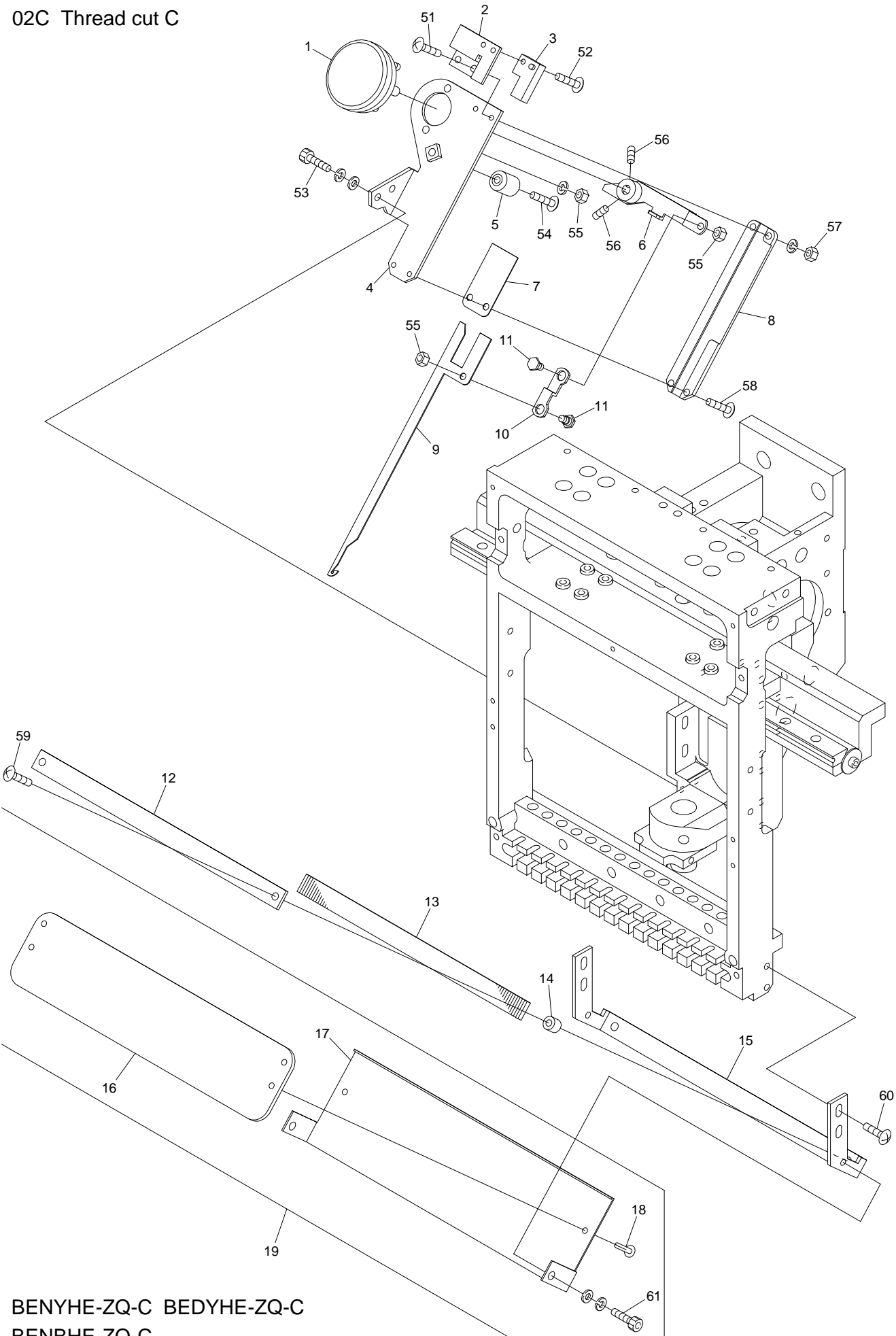


BENYHE-YN-C BEDYHE-YN-C BENYHE-ZQ-C BEDYHE-ZQ-C  
BENBHE-YN-C BENBHE-ZQ-C





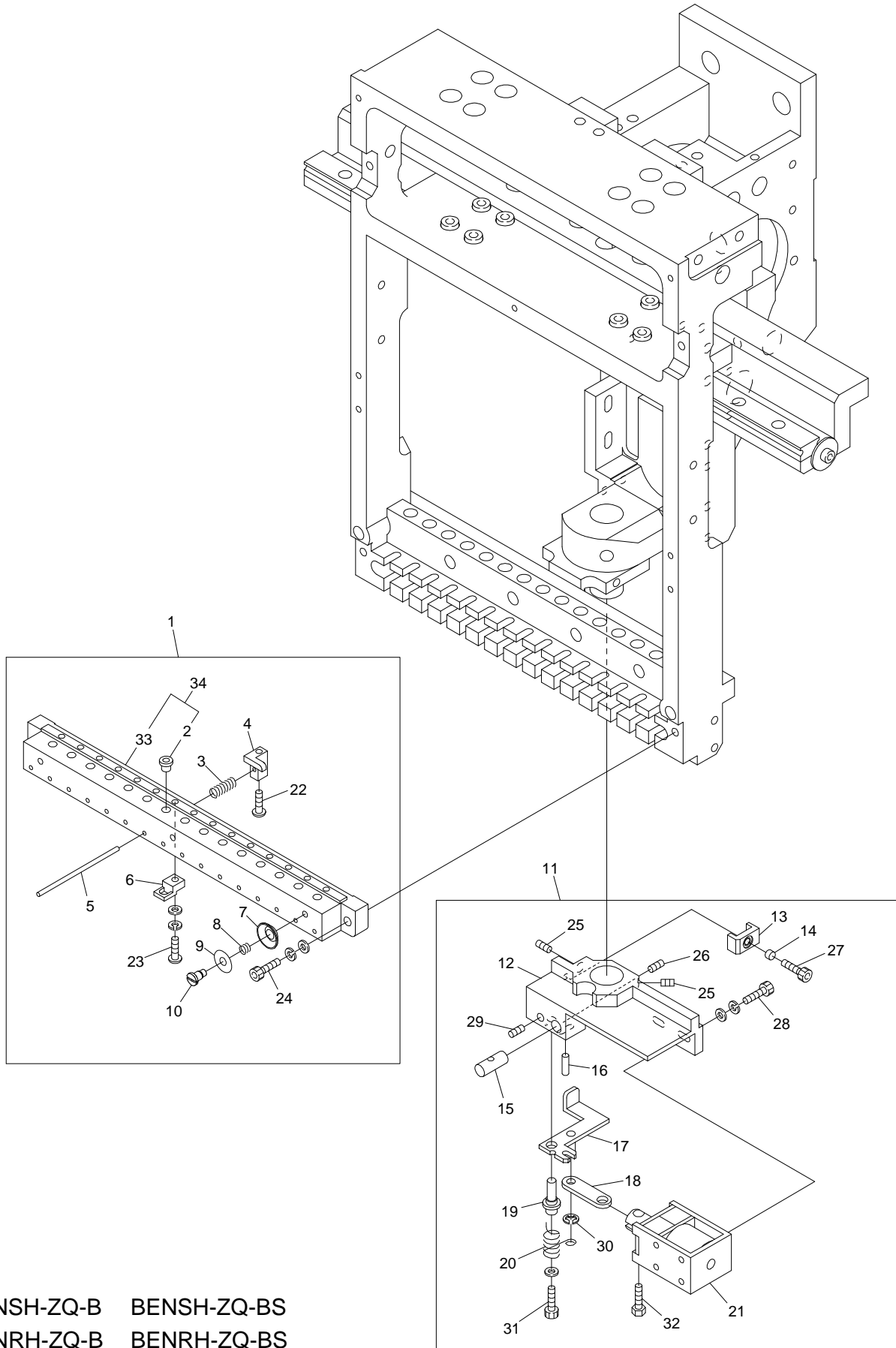
02C Thread cut C



BENYHE-ZQ-C  
BEDYHE-ZQ-C  
BENBHE-ZQ-C



02D Thread cut D

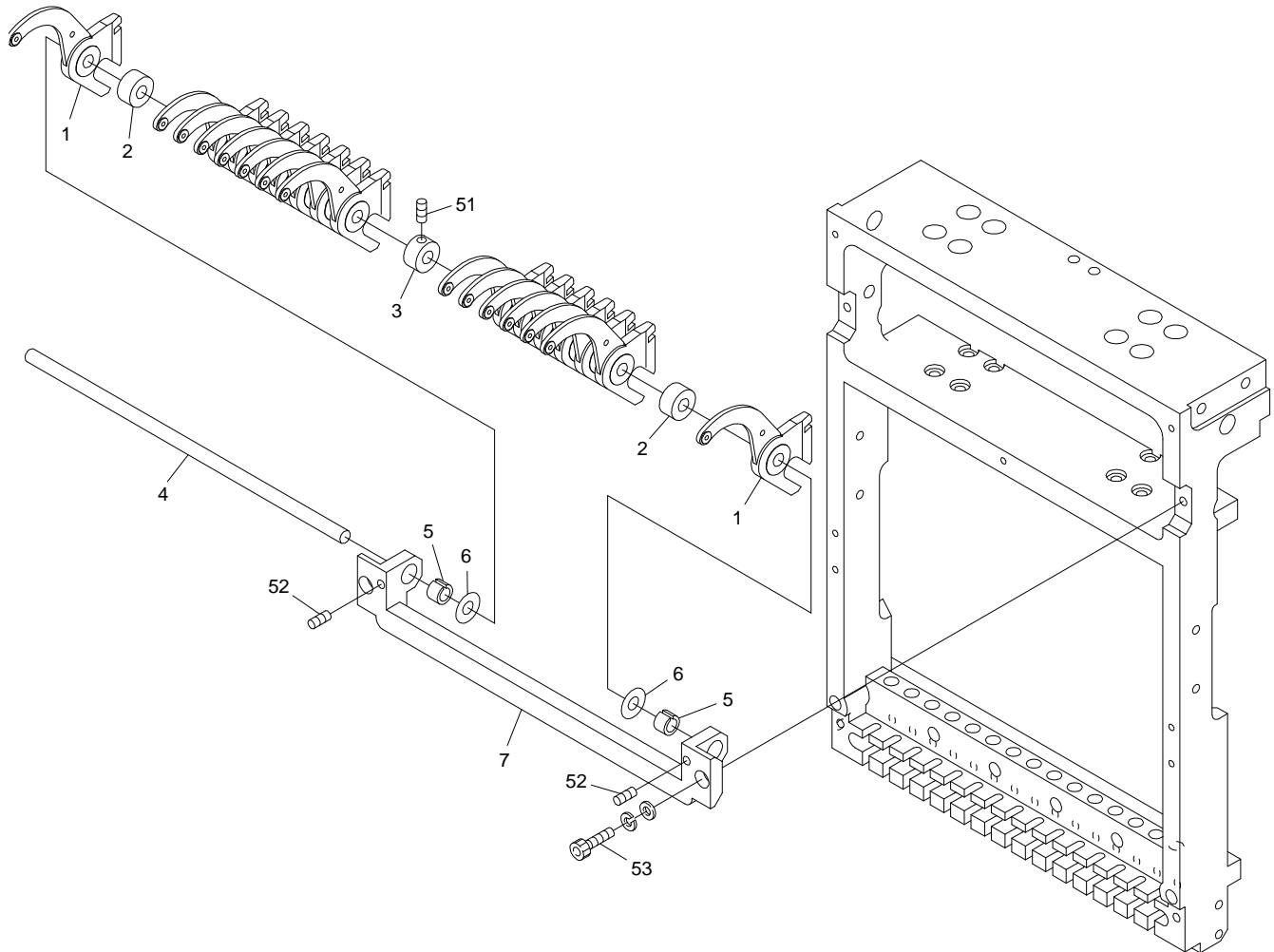


BENSH-ZQ-B    BENSH-ZQ-BS  
 BENRH-ZQ-B    BENRH-ZQ-BS

BEDSH-ZQ-BS    BENYH-ZQ-A    BENYHE-ZQ    BENYHE-ZQ-B    BENYHE-ZQ-C    BEDYHE-ZQ-C  
 BENBH-ZQ-A    BENBHE-ZQ    BENBHE-ZQ-B    BENBHE-ZQ-C



# 03A Take up lever A

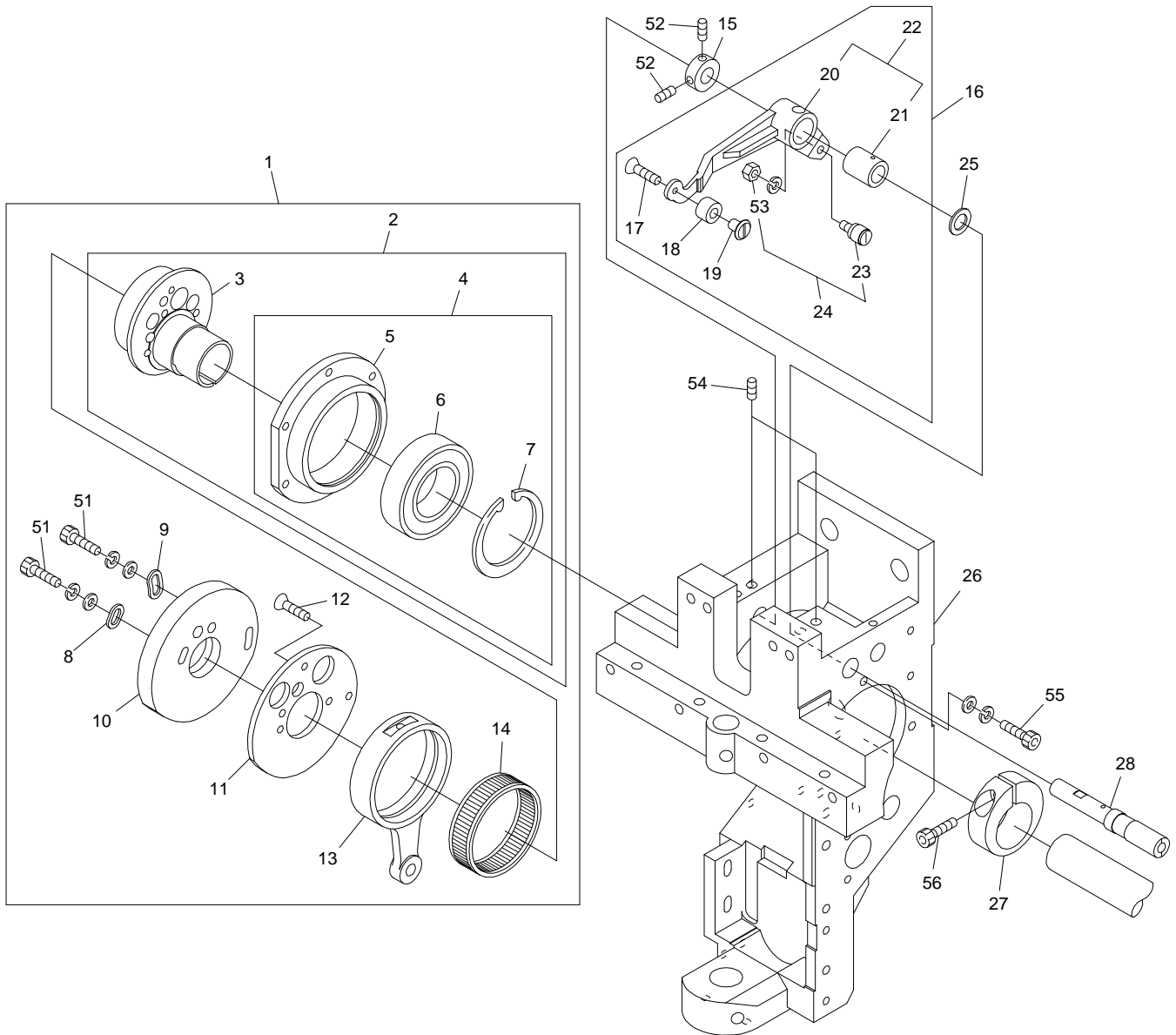


BENSH-ZQ-B BENSH-ZQ-BS  
BENRH-ZQ-B BENRH-ZQ-BS

BEDSH-ZQ-BS BENYH-ZQ-A BENYHE-ZQ BENYHE-ZQ-B BENYHE-ZQ-C BEDYHE-ZQ-C  
BENBH-ZQ-A BENBHE-ZQ BENBHE-ZQ-B BENBHE-ZQ-C



03B Take up lever B



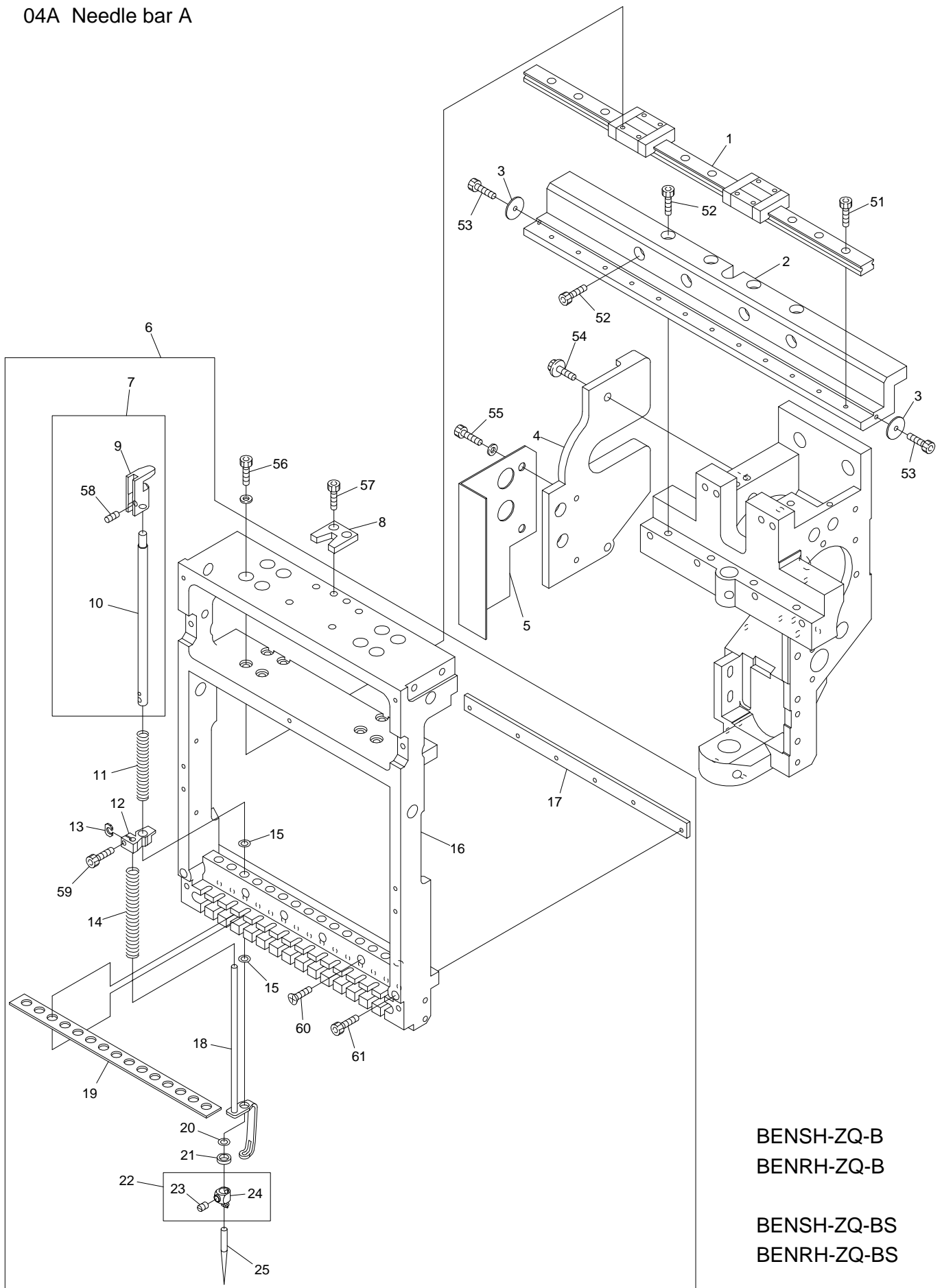
BENSH-ZQ-B BENSH-ZQ-BS  
 BENRH-ZQ-B BENRH-ZQ-BS

BEDSH-ZQ-BS BENYH-ZQ-A BENYHE-ZQ BENYHE-ZQ-B BENYHE-ZQ-C BEDYHE-ZQ-C  
 BENBH-ZQ-A BENBHE-ZQ BENBHE-ZQ-B BENBHE-ZQ-C





04A Needle bar A



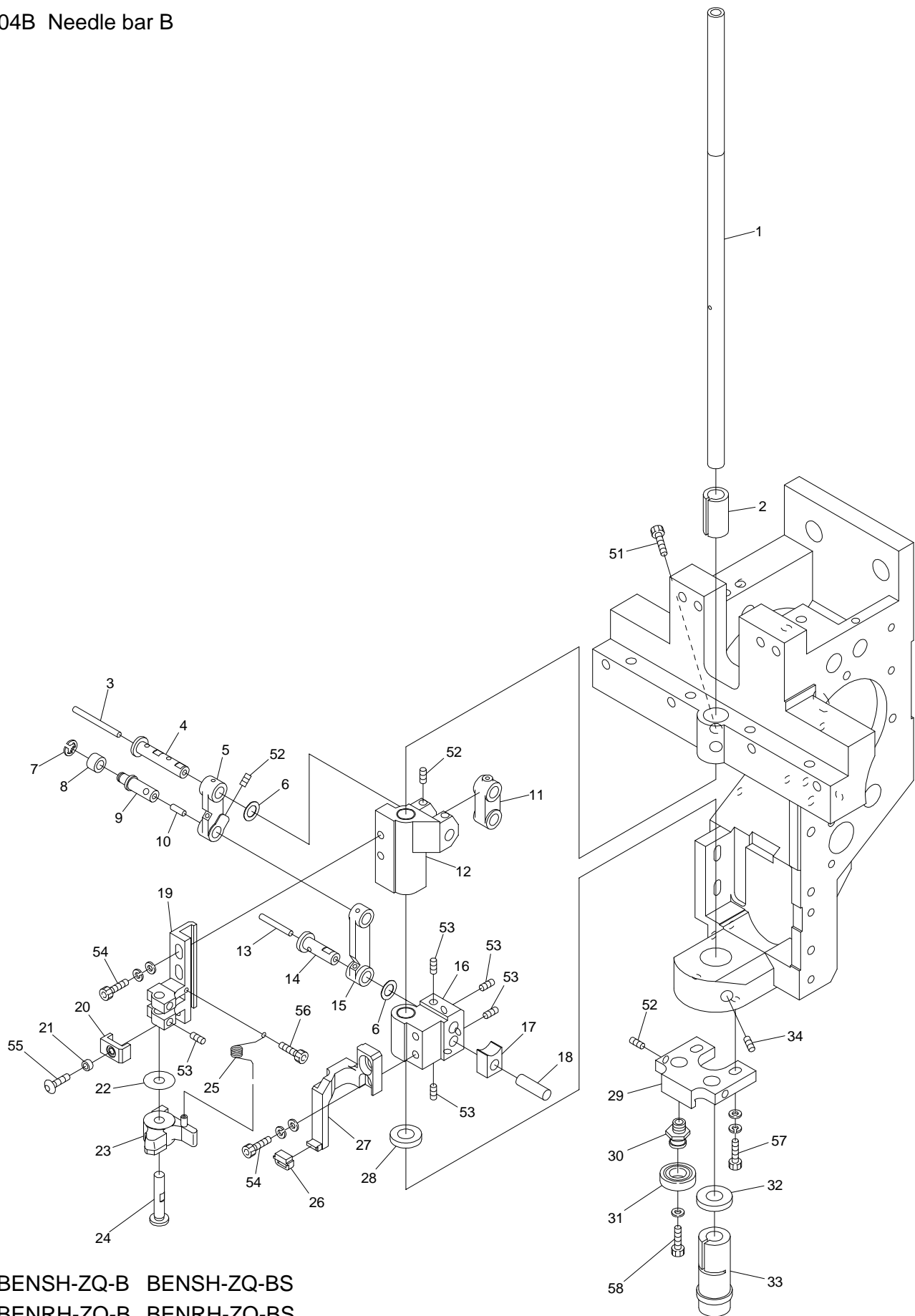
BENSH-ZQ-B  
BENRH-ZQ-B

BENSH-ZQ-BS  
BENRH-ZQ-BS

BEDSH-ZQ-BS BENYH-ZQ-A BENYHE-ZQ BENYHE-ZQ-B BENYHE-ZQ-C BEDYHE-ZQ-C  
BENBH-ZQ-A BENBHE-ZQ BENBHE-ZQ-B BENBHE-ZQ-C



04B Needle bar B



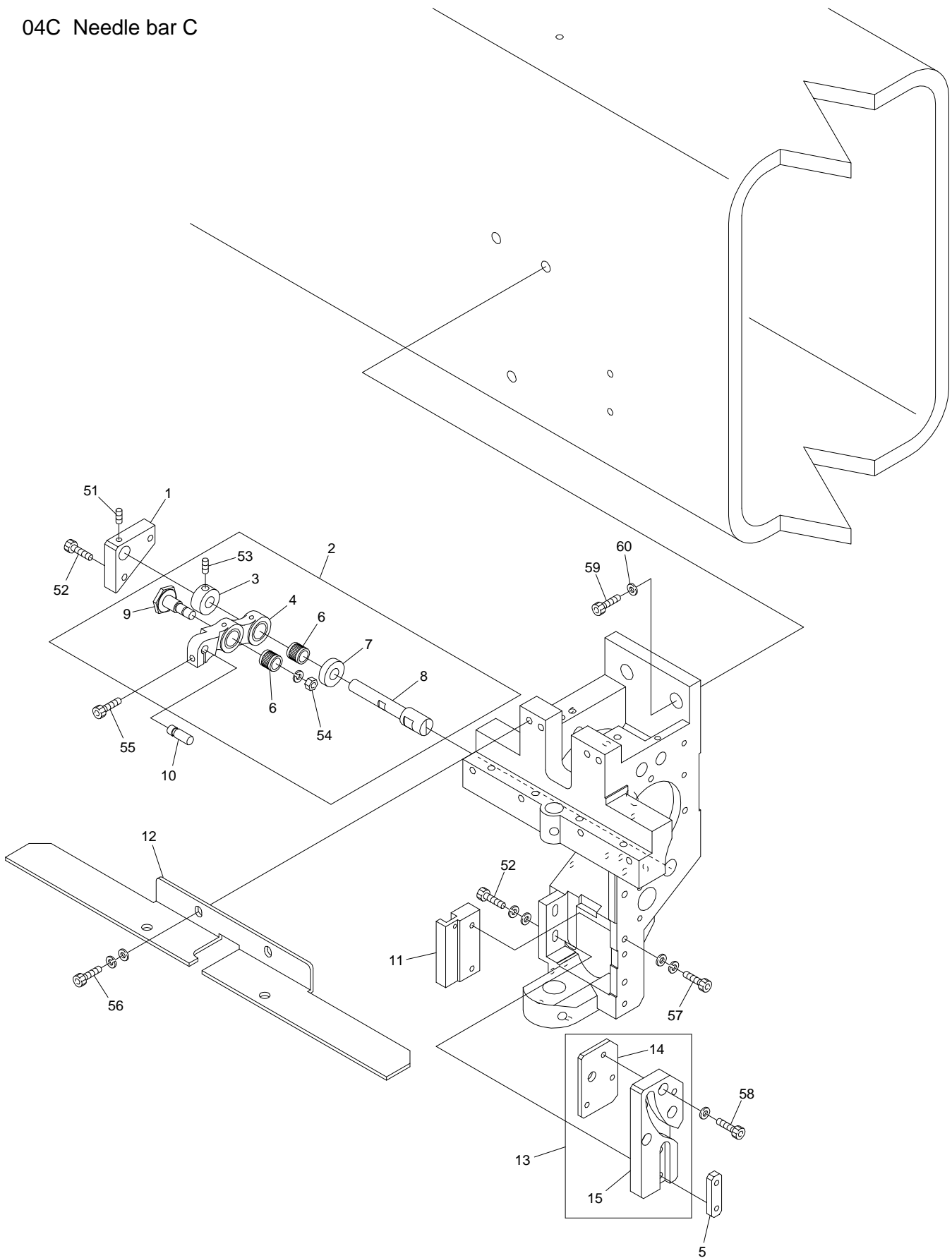
BENSH-ZQ-B BENSH-ZQ-BS  
 BENRH-ZQ-B BENRH-ZQ-BS

BEDSH-ZQ-BS BENYH-ZQ-A BENYHE-ZQ BENYHE-ZQ-B BENYHE-ZQ-C BEDYHE-ZQ-C  
 BENBH-ZQ-A BENBHE-ZQ BENBHE-ZQ-B BENBHE-ZQ-C

## 04B NEEDLE BAR B

ITEM	LIST NO.	DESCRIPTION	Q'TY	NOTE
1	RV230020	Drive shaft(ZQ5)	Hx1	
2	RD230150	Drive shaft bush(Upper)	Hx1	
3	HT230750	Oil core(30mm)	Hx1	
4	HT230471	Small link pin	Hx1	
5	HT230491	Link(Small)	Hx1	
6	HT230730	Shim ring(Ø10 t=0.3)	Hx2	
7	A9012127	E-ring(Ø3)	Hx1	
8	KF230530	Roller(For take up lever)	Hx1	
9	HT230450	Link roller joint pin	Hx1	
10	HT230760	Oil core(8mm)	Hx1	
11	HB230200	Needle bar driving link	Hx1	
12	HT230510	Needle bar driver slide block	Hx1	
13	HT230770	Oil core(20mm)	Hx1	
14	HT230460	Large link pin	Hx1	
15	HT230480	Link(Large)	Hx1	
16	HT230500	Set slide block	Hx1	
17	HP231370	Square ball	Hx1	
18	HT230320	Square ball pin	Hx1	
19	HT230290	Needle bar beat fixing base	Hx1	
20	HT230520	Needle bar driving stopper	Hx1	
21	A9012368	Spacer(Roll bush)	Hx1	
22	RH230550	Shim ring	Hx1	
23	RH230540	Needle bar driver	Hx1	
24	HT230280	Needle bar driver pin	Hx1	
25	HT230560	Needle bar driver return spring	Hx1	
26	HT230340	Cloth hold support rubber	Hx1	
27	RV230250	Cloth hold support	Hx1	
28	RD230240	Drive shaft felt(Upper)	Hx1	
29	RD230050	Bearing guide	Hx1	
30	KX230050	Bearing pin	Hx2	
31	A9010065	Ball bearing 686zz	Hx2	
32	RD230230	Drive shaft felt(Lower)	Hx1	
33	KX230080	Drive shaft bush(Lower)	Hx1	
34	A9012053	Hex.socket set screw(With steel ball) M6x0.7x8	Hx2	
51		Hex.Socket bolt M5x20		
52		Hex.socket set screw M4x6(With nylon)		
53		Hex.socket set screw M4x4(With nylon)		
54		Hex.socket bolt M4x12(With washers)		
55		Hex.socket button bolt M3x6		
56		Hex.Socket bolt M2.5x6		
57		Hex.socket bolt M4x15(With washers)		
58		Hex.socket bolt M4x6(With plain washer)		

04C Needle bar C

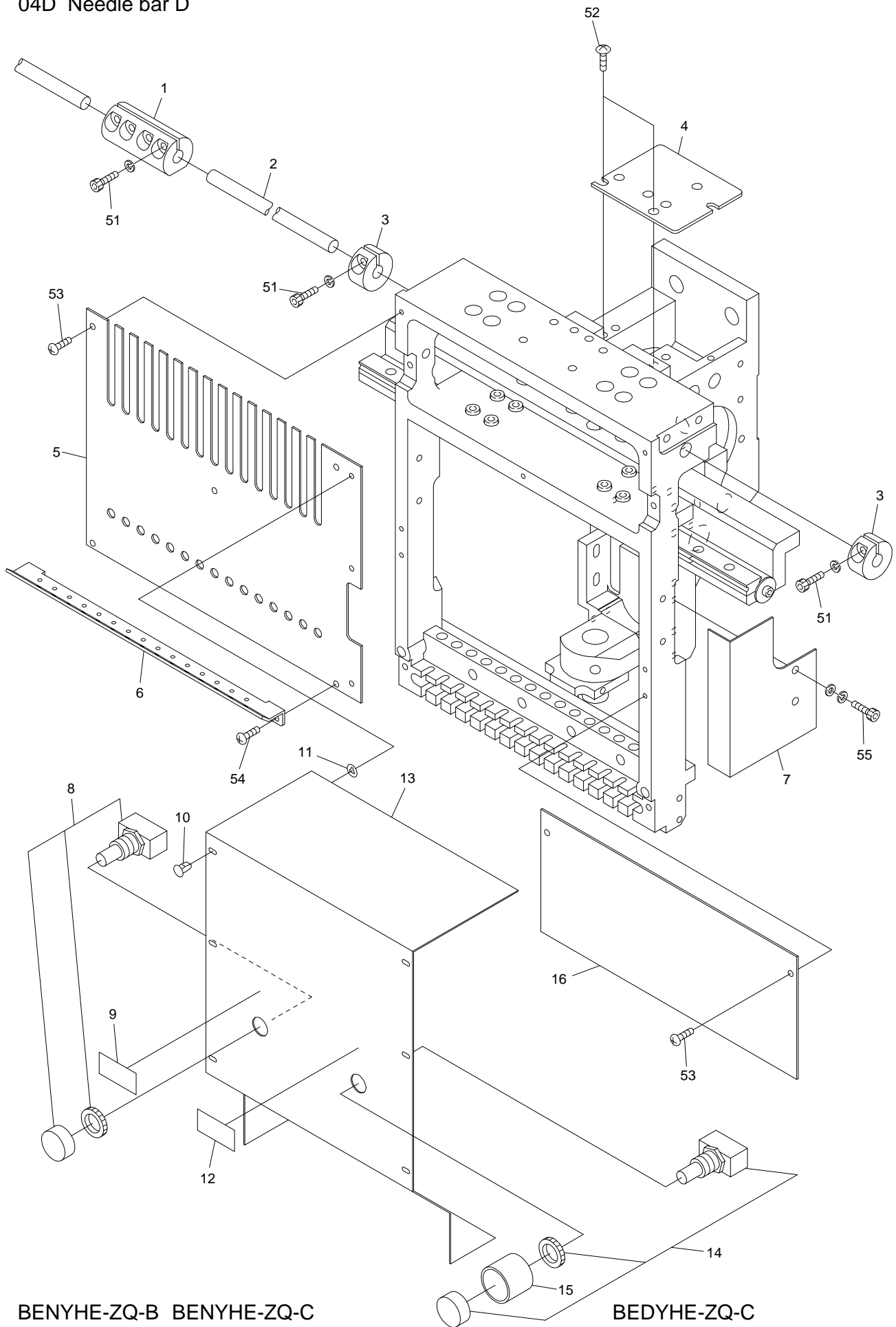


BENSH-ZQ-B BENSH-ZQ-BS  
 BENRH-ZQ-B BENRH-ZQ-BS

BEDSH-ZQ-BS BENYH-ZQ-A BENYHE-ZQ BENYHE-ZQ-B BENYHE-ZQ-C BEDYHE-ZQ-C  
 BENBH-ZQ-A BENBHE-ZQ BENBHE-ZQ-B BENBHE-ZQ-C



# 04D Needle bar D



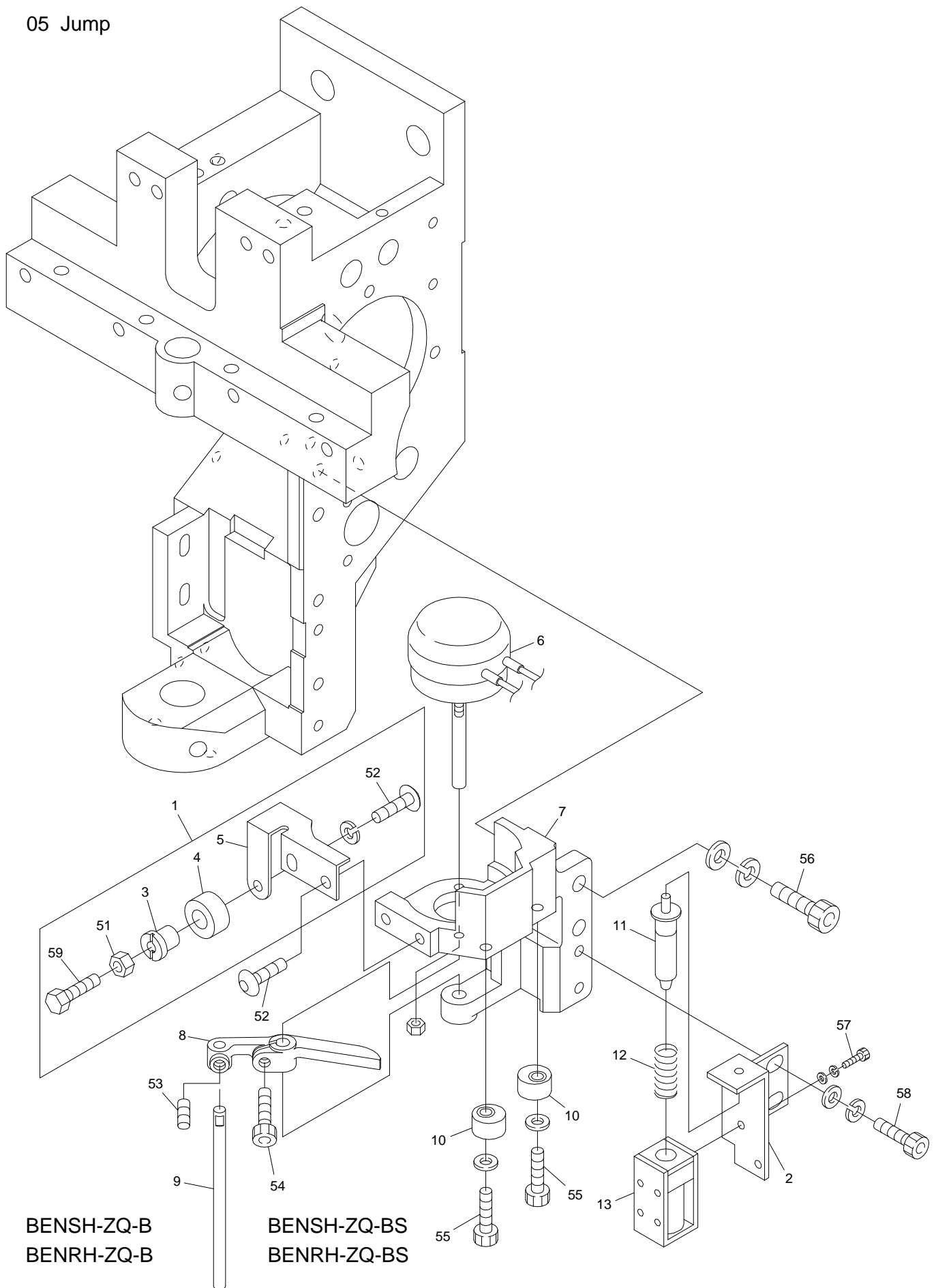
BENYHE-ZQ-B BENYHE-ZQ-C  
BENBHE-ZQ-B BENBHE-ZQ-C

BEDYHE-ZQ-C



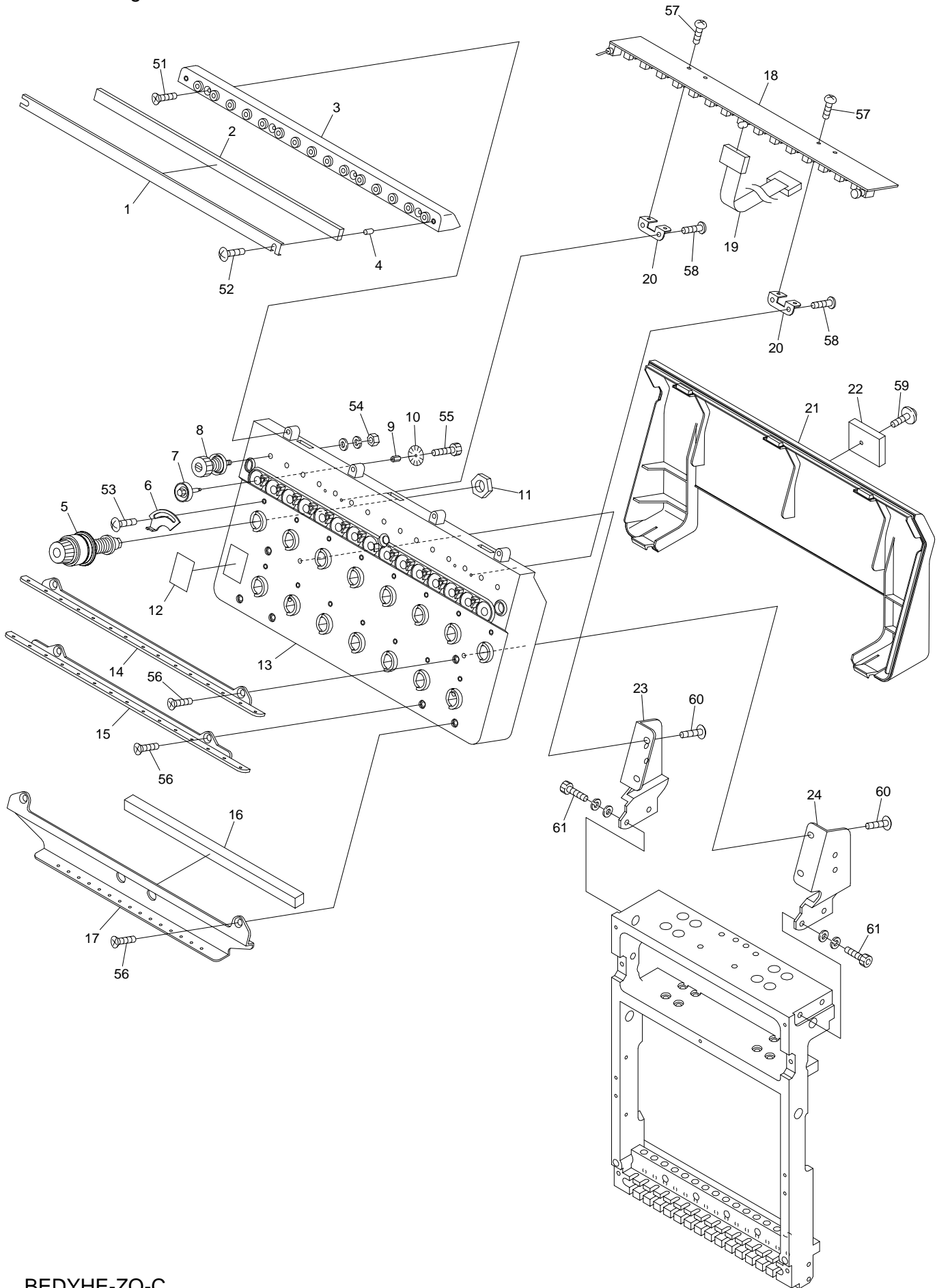


05 Jump





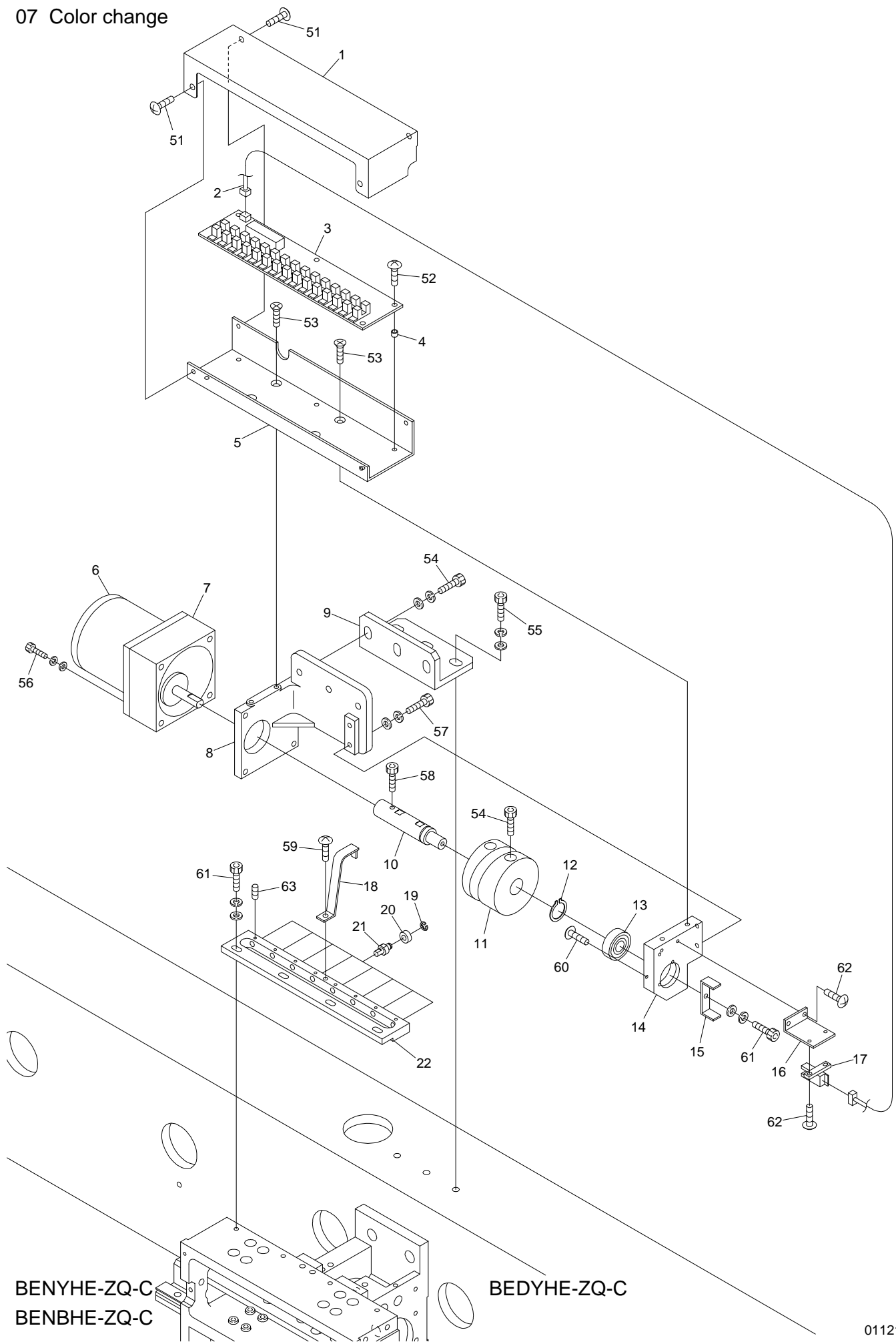
# 06 Thread guide



BEDYHE-ZQ-C



# 07 Color change

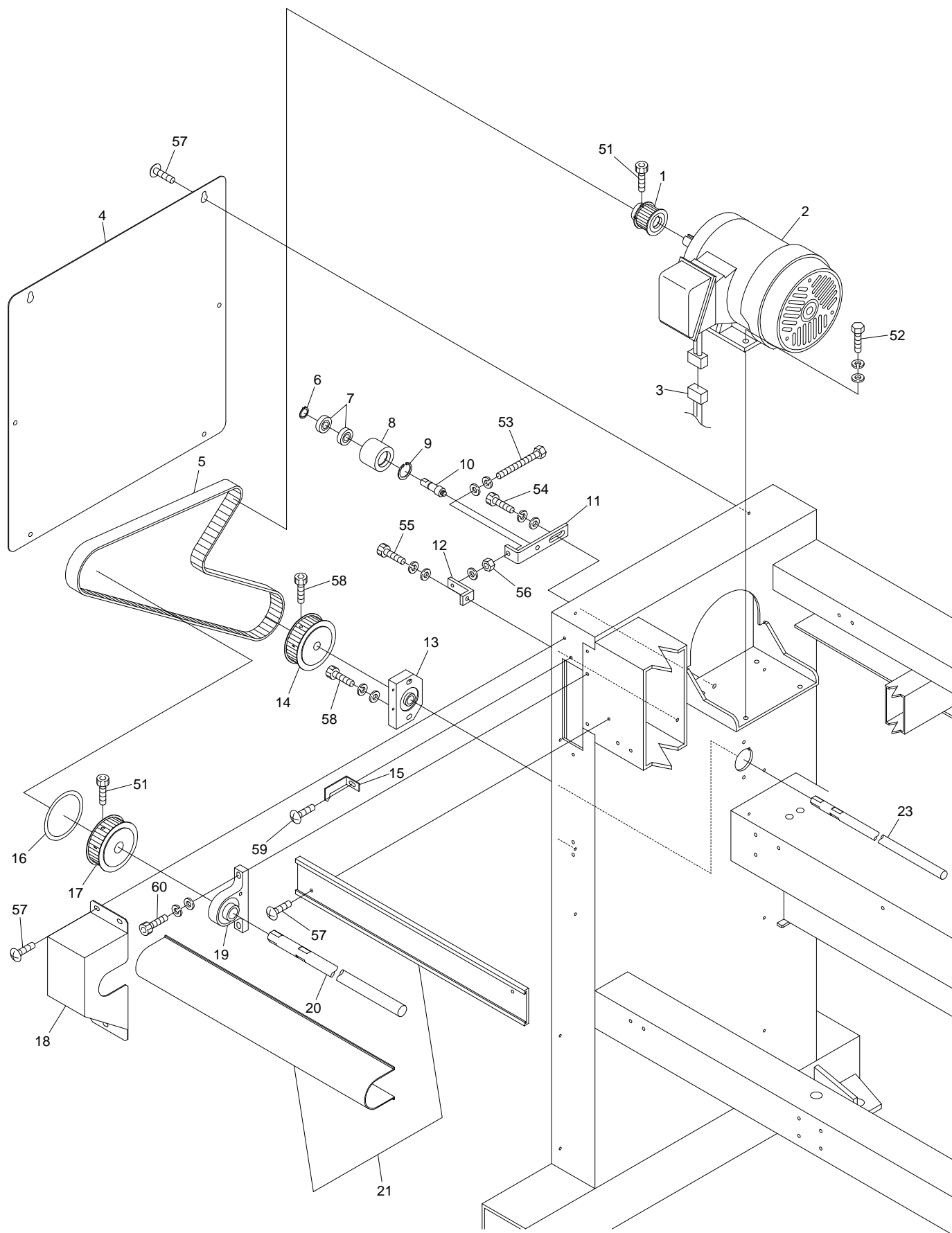


BENYHE-ZQ-C  
BENBHE-ZQ-C

BEDYHE-ZQ-C



08-1 Drive(2T/4T)



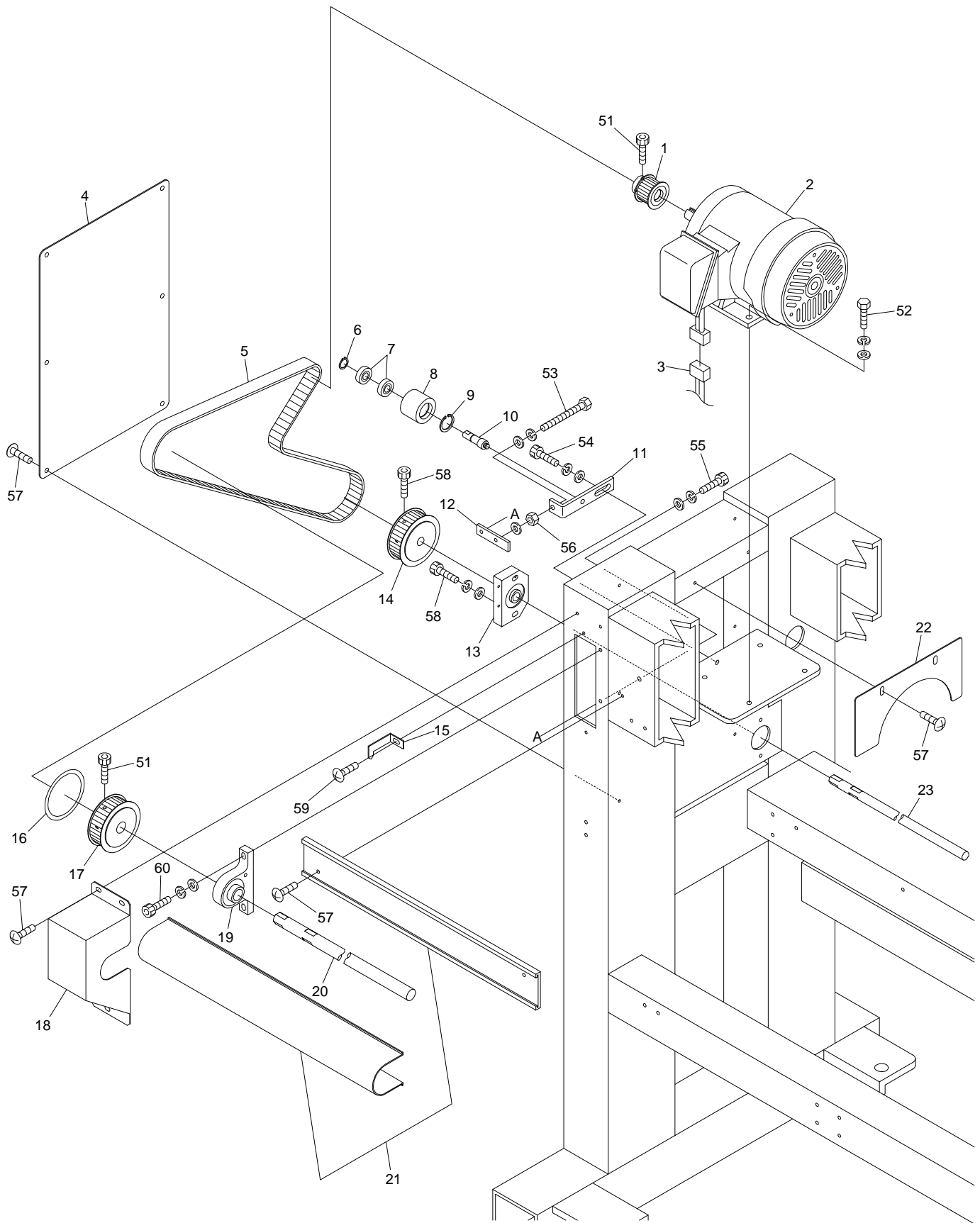
BENYHE-YN-C BEDYHE-YN-C BENYHE-ZQ-C BEDYHE-ZQ-C  
 BENBHE-YN-C BENBHE-ZQ-C



## 08-1 DRIVE (2T/4T)

ITEM	LIST NO.	DESCRIPTION	Q'TY	NOTE
1	SC481370	Motor pulley(S5M-26,0.2kw)	1	2T
	RP310170	Motor pulley(S5M-26)	1	4T
2	RA310380	Main motor 1K-FCKL8-4P-0.2kw(ETL)	1	2T
	RP310201	Main motor IK-FBKK8-4P-0.55kw VF3(ETL)	1	4T
3	A9053081	Motor cable 1.25x4x5m		
4	SJ160030	Frame upper cover	2	
5	A9020180	Timing belt B250S5M1420	1	
6	A9012066	C-ring(For hole Ø12)	1	
7	A9010003	Bearing 6001ZZ	2	
8	RQ310000	Idler	1	
9	A9012063	C-ring(For hole Ø28)	1	
10	SC310020	Idler shaft	1	
11	SC310030	Idler bracket	1	
12	SC310150	Tension bracket	1	
13	SC310060	Lower shaft housing	1	
14	SC310010	Ø15 lower shaft timing pulley(S5M-52)	1	
15	SC310050	Angle instructions plate	1	
16	SC310100	Rotary angle label	1	
17	SC310000	Ø20 upper shaft timing pulley(S5M-52)	1	
18	SC250000	Pulley box	1	NYHE
	SJ250040	Pulley box(DYHE)	1	DYHE
19	SC310070	Upper shaft housing	1	
20	SC310140	Upper shaft Ø20(For 2T)	1	2T
	SC310120	Upper shaft Ø20(For 4T)	1	4T
21	SJ130020	Shaft mogol & cover L(YN,P=520) DYHE	1	DYHE Left side
	SJ130030	Shaft mogol & cover C(YN,P=520) DYHE	1	DYHE Between heads 2T
			3	DYHE Between heads 4T
	SJ130040	Shaft mogol & cover R(YN,P=520) DYHE	1	DYHE Right side
	SJ130000	Shaft mogol & cover(P=520) DYHE-ZQ	1	DYHE(P=520)
SJ130010	Shaft mogol & cover(P=380) DYHE-ZQ	1	DYHE(P=380)	
22	SC310130	Lower shaft Ø15(For 2T)	1	2T
	SC310110	Lower shaft Ø15(For 4T)	1	4T
51		Hex.socket bolt M6x15(Black)		
52		Hex.bolt M8x20		
53		Hex.bolt M6x60(Full screw)		
54		Hex.socket bolt M8x20(Black)		
55		Hex.socket bolt M6x15(Uni chrome)		
56		Hex.nut M6		
57		Truss screw M5x10		
58		Hex.socket bolt M5x8		
59		Truss screw M5x6		
60		Hex.socket bolt M6x18(Black)		

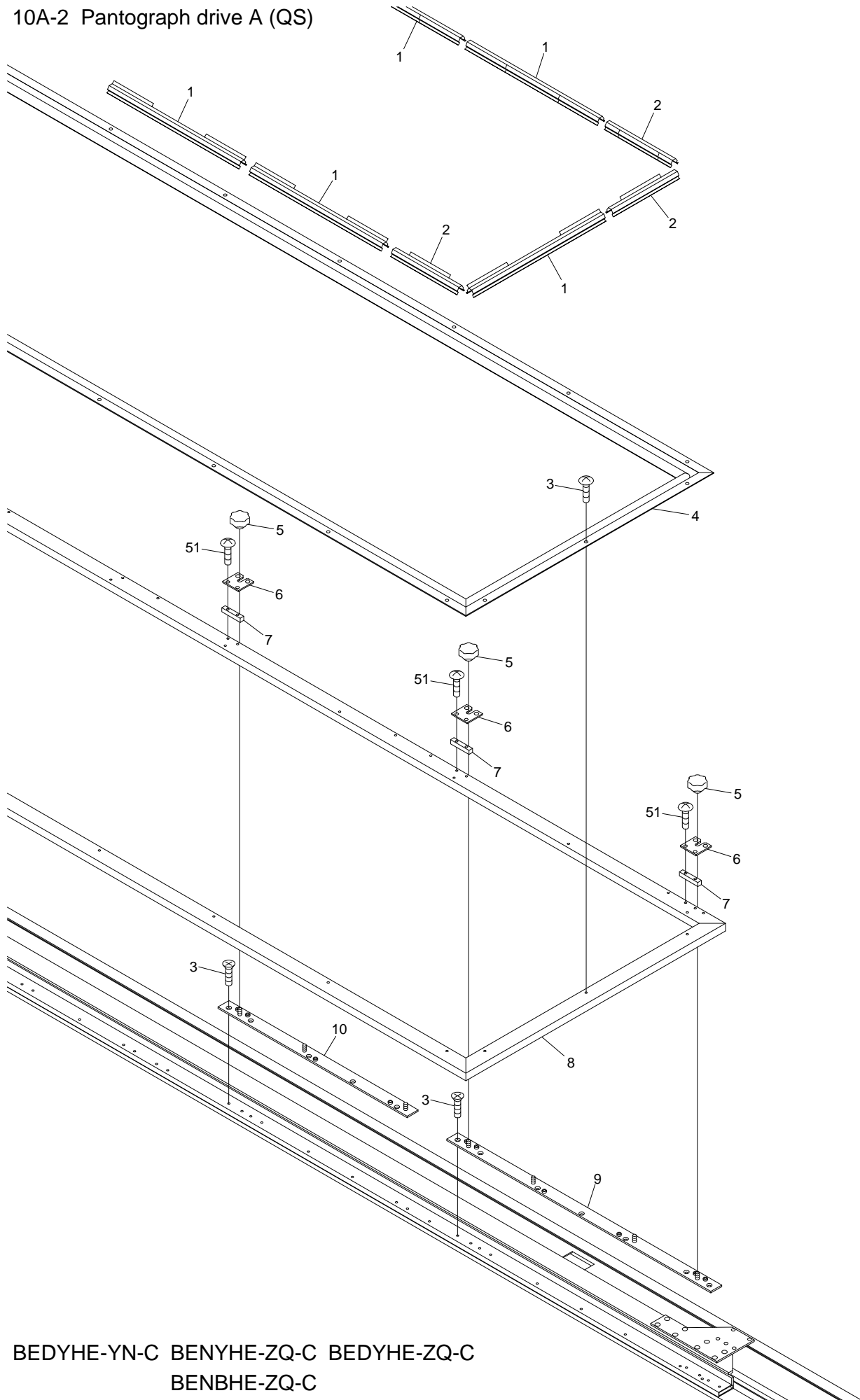
08-2 Drive(6T)



BENYHE-YN-C    BEDYHE-YN-C    BENYHE-ZQ-C    BEDYHE-ZQ-C  
 BENBHE-YN-C                      BENBHE-ZQ-C



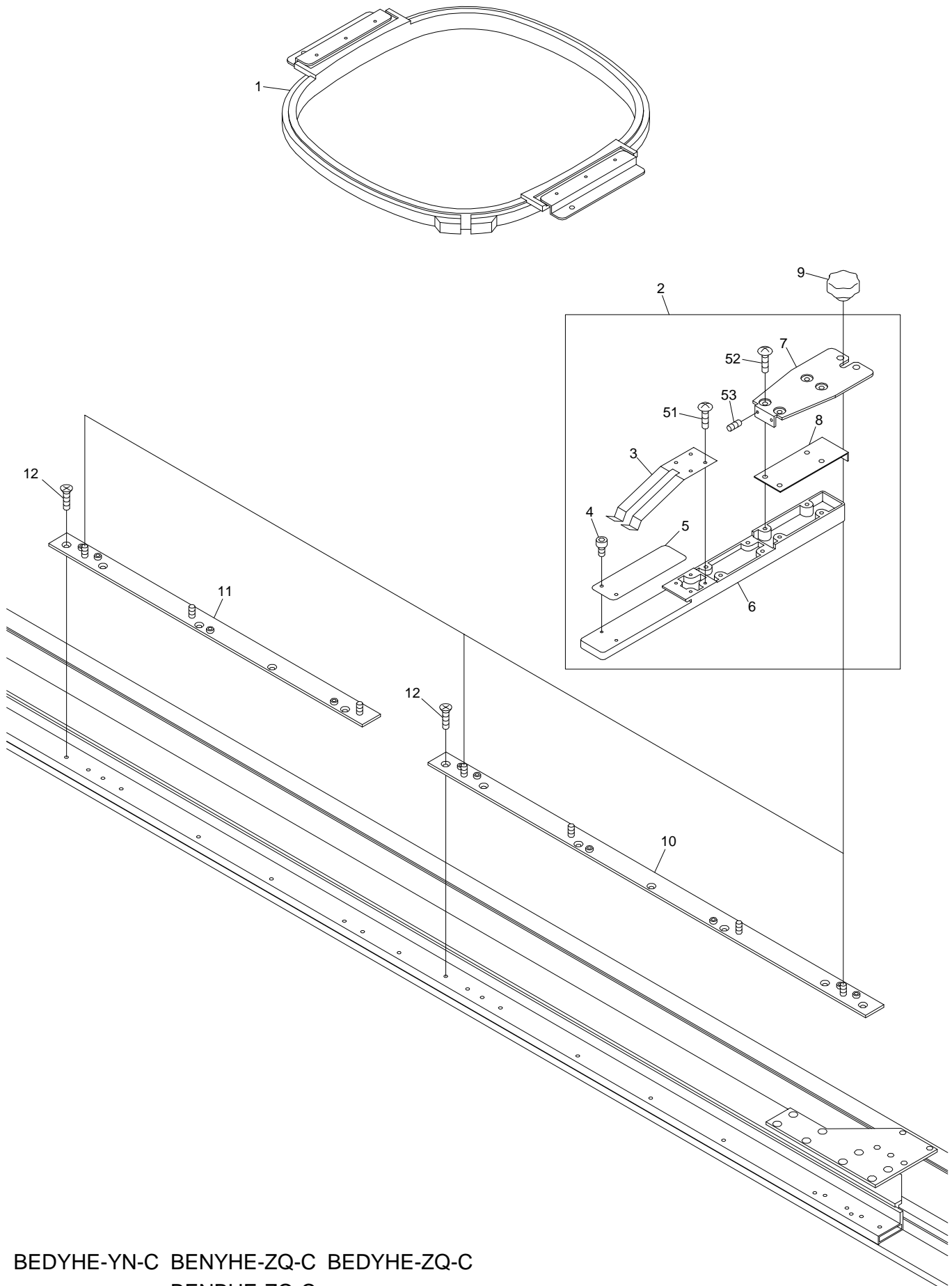
10A-2 Pantograph drive A (QS)



BEDYHE-YN-C BENYHE-ZQ-C BEDYHE-ZQ-C  
BENBHE-ZQ-C



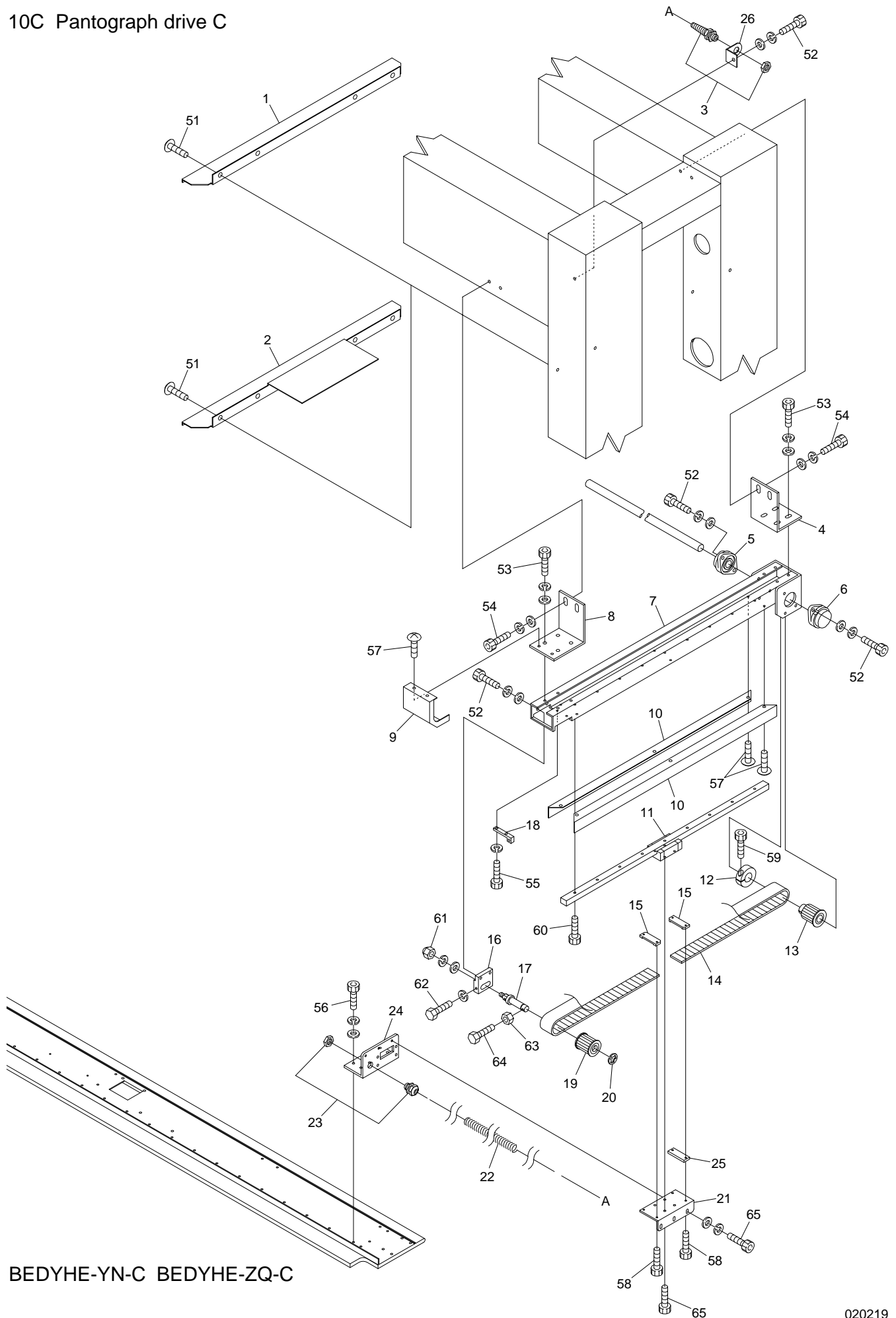
# 10B Pantograph drive B (QS)



BEDYHE-YN-C BENVHE-ZQ-C BEDYHE-ZQ-C  
BENBHE-ZQ-C



# 10C Pantograph drive C



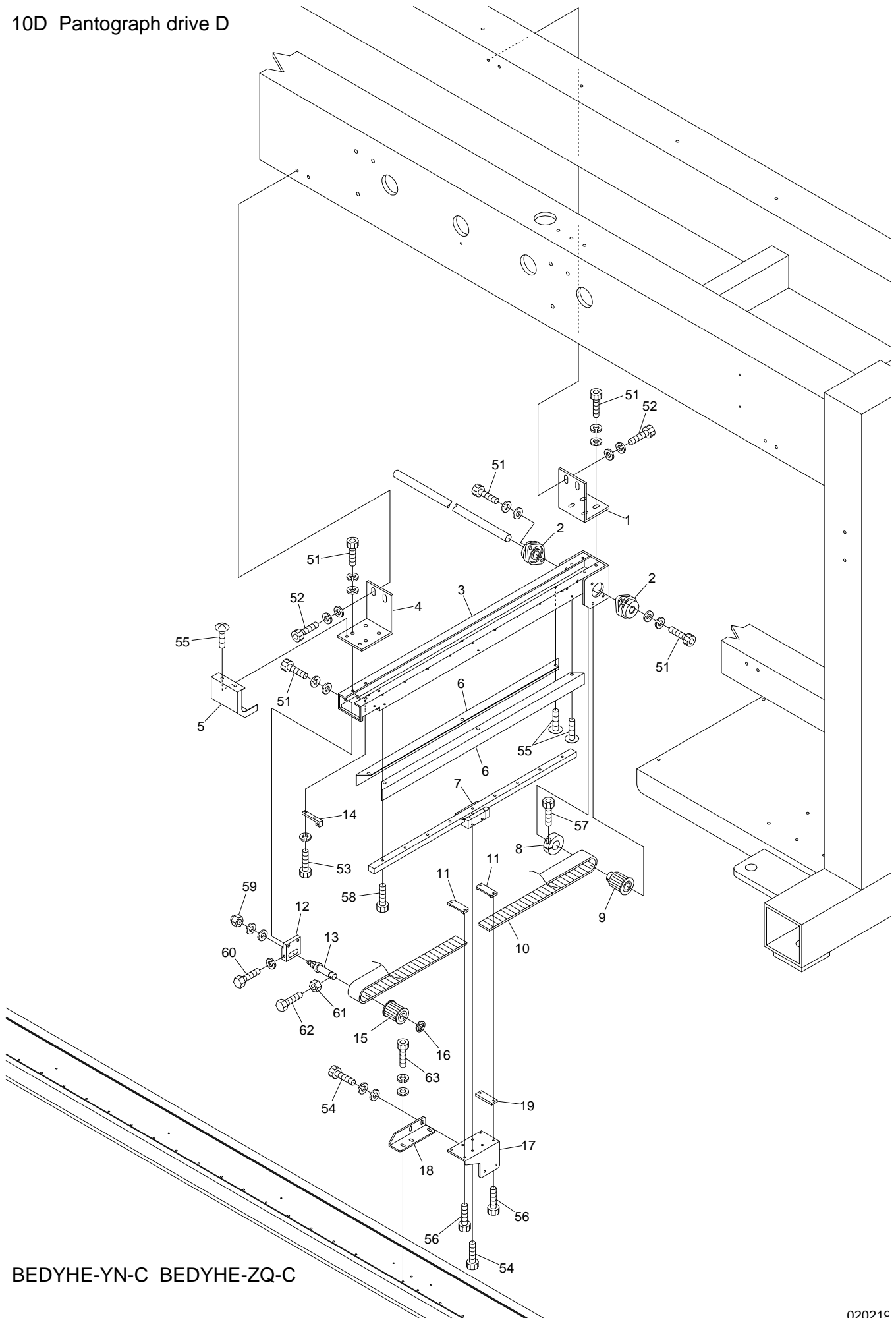
BEDYHE-YN-C BEDYHE-ZQ-C



## 10C PANTOGRAPH DRIVE C

ITEM	LIST NO.	DESCRIPTION	Q'TY	NOTE
1	SJ250060	V-spline cover(DYHE)	1	2T,4T
2	SJ250090	V-spline cover(DYHE) for 6-8 heads	1	6T
3	A9068030	Bushing NW-7RP	1	
4	SC480330	H-rail base fixed stay(Rear)	1	
5	A9011243	Bearing unit(UFL002C)	1	
6	A9011244	Bearing unit(UFL002D)	1	
7	SJ480010	H-rail base(ST=450) DYHE	1	
8	SC480210	H-rail base fixed stay(Front)	1	
9	SC250040	H-rail front cover	1	
10	SC250070	H-rail side cover	2	
11	SC480040	LM guide(540L)	1	
12	HH481980	Ø19 clamp	1	
13	SJ480000	Pantograph drive pulley(16 tooth)	1	
14	SC480020	Timing belt MA5	1	
15	HP482940	Timing belt set rack(5M)	2	
16	SC480050	Pulley bracket	1	
17	SC480030	Timing pulley shaft	1	
18	RP480200	Pulley stopper	1	
19	SC480010	Pantograph drive pulley(Front)	1	
20	A9012052	E-ring(Ø10)	1	
21	SC480120	Guide base(R)	1	
22	A9068049	Curl cord(Compact machine)	1	
23	A9068050	Super seal(NW-7R)	1	
24	SC480080	Guide stay(R)	1	
25	SJ480020	Rack spacer	1	
26	SC480290	Erectrical bracket	1	
51		Truss screw M6×10		
52		Hex.socket bolt M6×15(Uni chrome)		
53		Hex.socket bolt M5×15(Uni chrome)		
54		Hex.socket bolt M6×20(Uni chrome)		
55		Hex.socket bolt M4×10(With spring washer)		
56		Hex.socket bolt M4×12(Uni chrome)		
57		Truss screw M4×6(Uni chrome)		
58		Hex.socket bolt M3×15(Black)		
59		Hex.socket bolt M5×20(Black)		
60		Hex.socket bolt M4×10(Black)		
61		Hex.cap nut M8(Uni chrome)		
62		Hex.bolt M4×30(Uni chrome)		
63		Hex.nut M4		
64		Hex.bolt M4×40(Uni chrome)		
65		Hex.socket bolt M4×10(Uni chrome)		

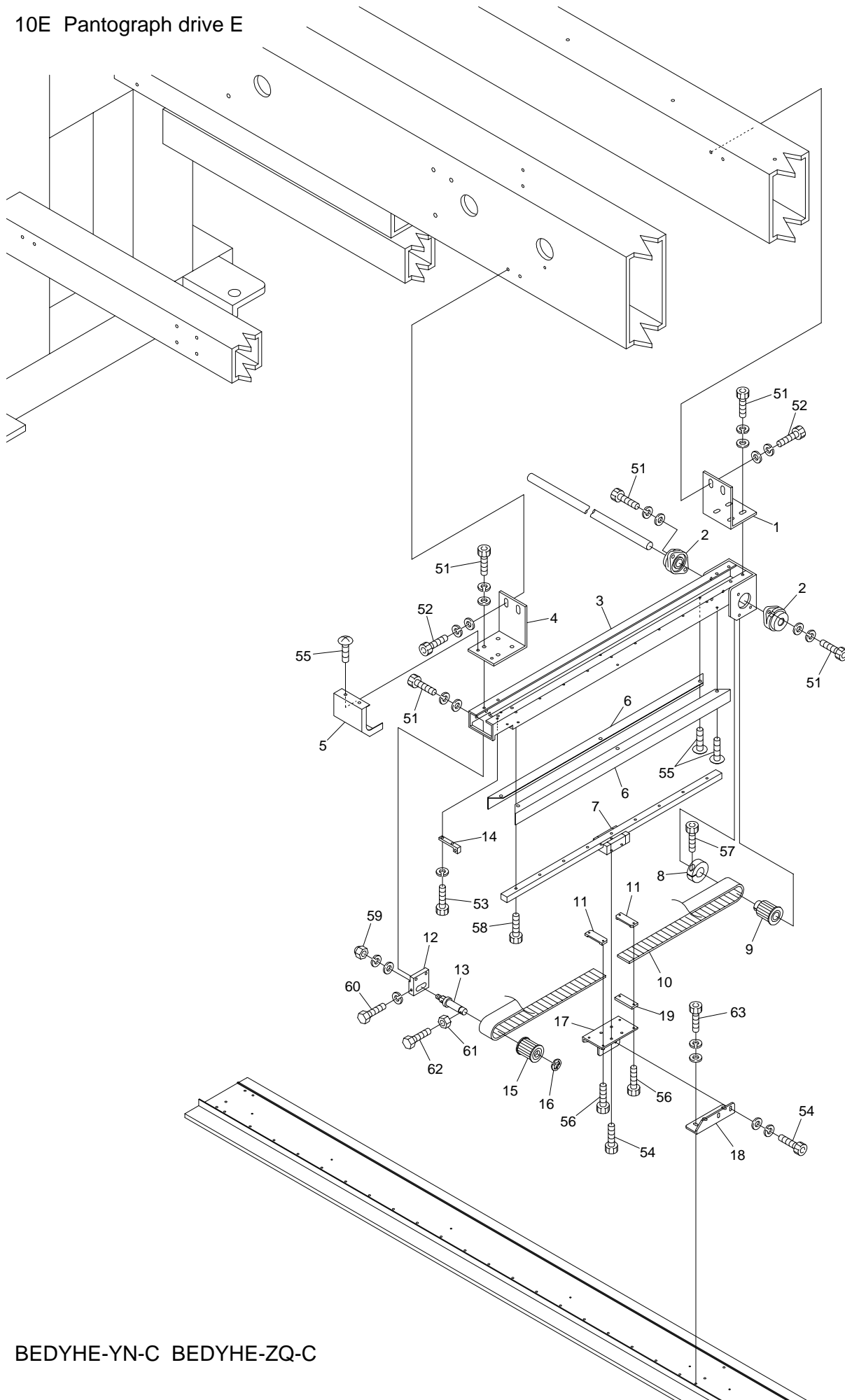
10D Pantograph drive D



BEDYHE-YN-C BEDYHE-ZQ-C



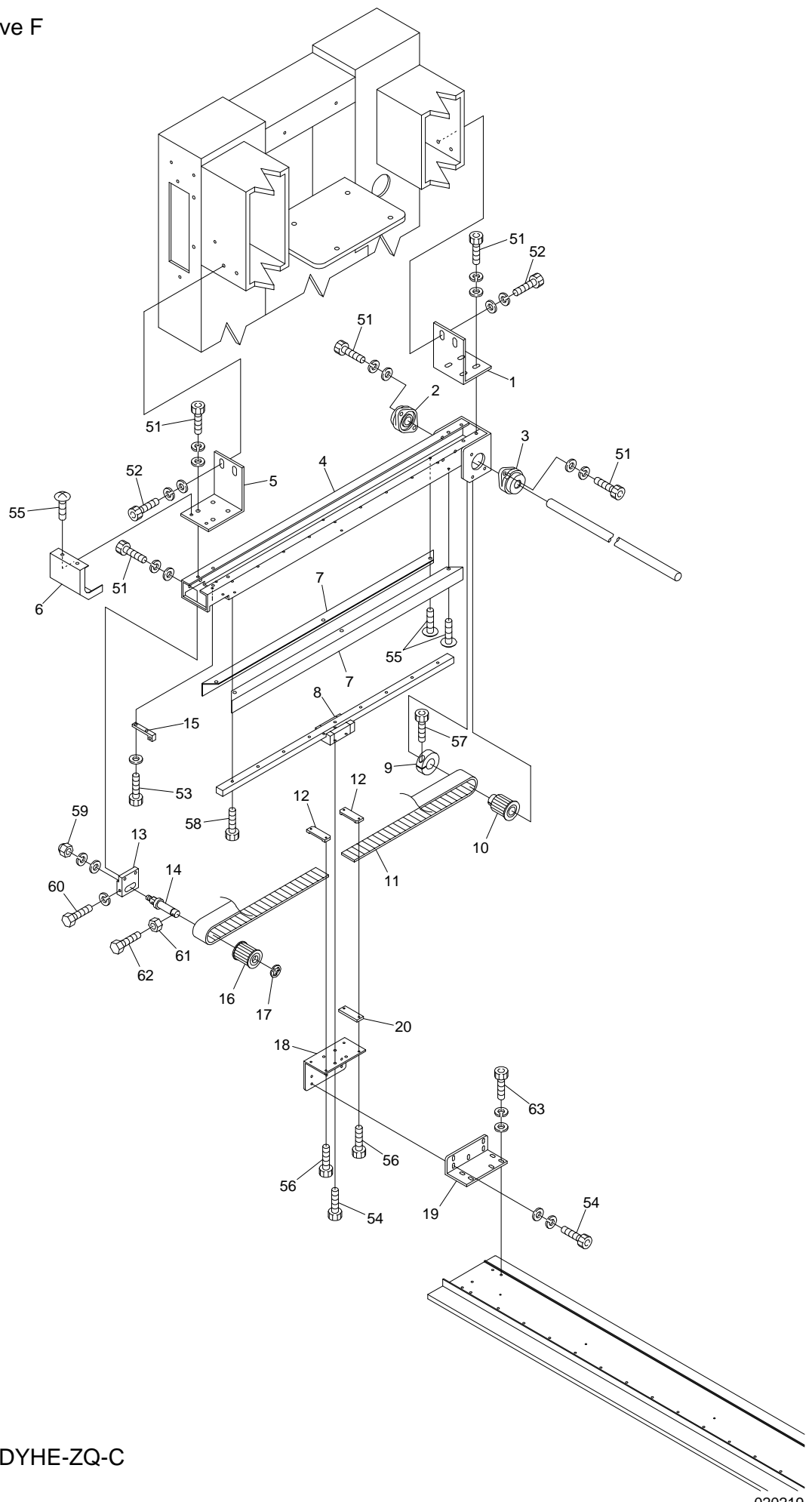
# 10E Pantograph drive E



BEDYHE-YN-C BEDYHE-ZQ-C



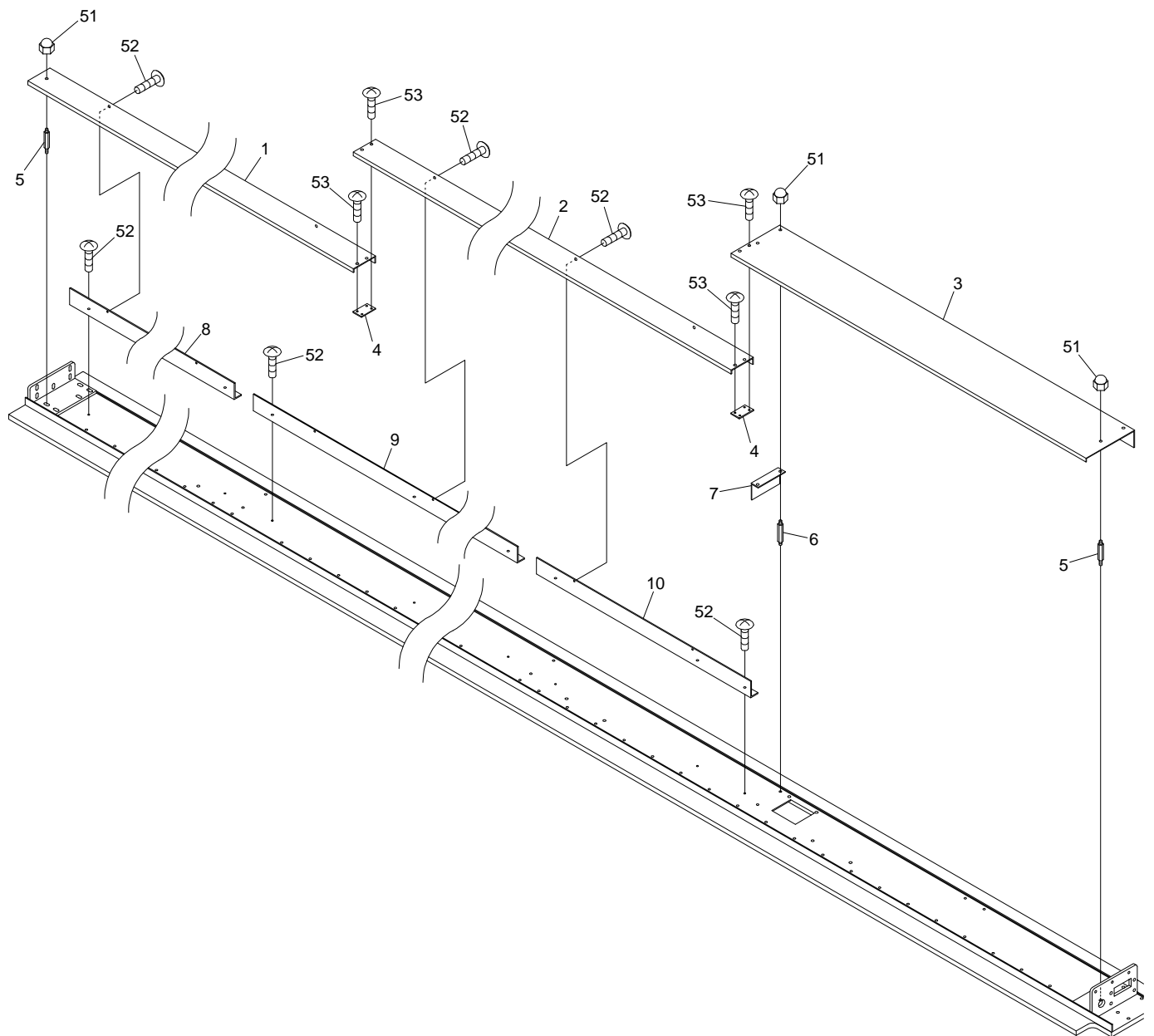
# 10F Pantograph drive F



BEDYHE-YN-C BEDYHE-ZQ-C



# 10G Pantograph drive G

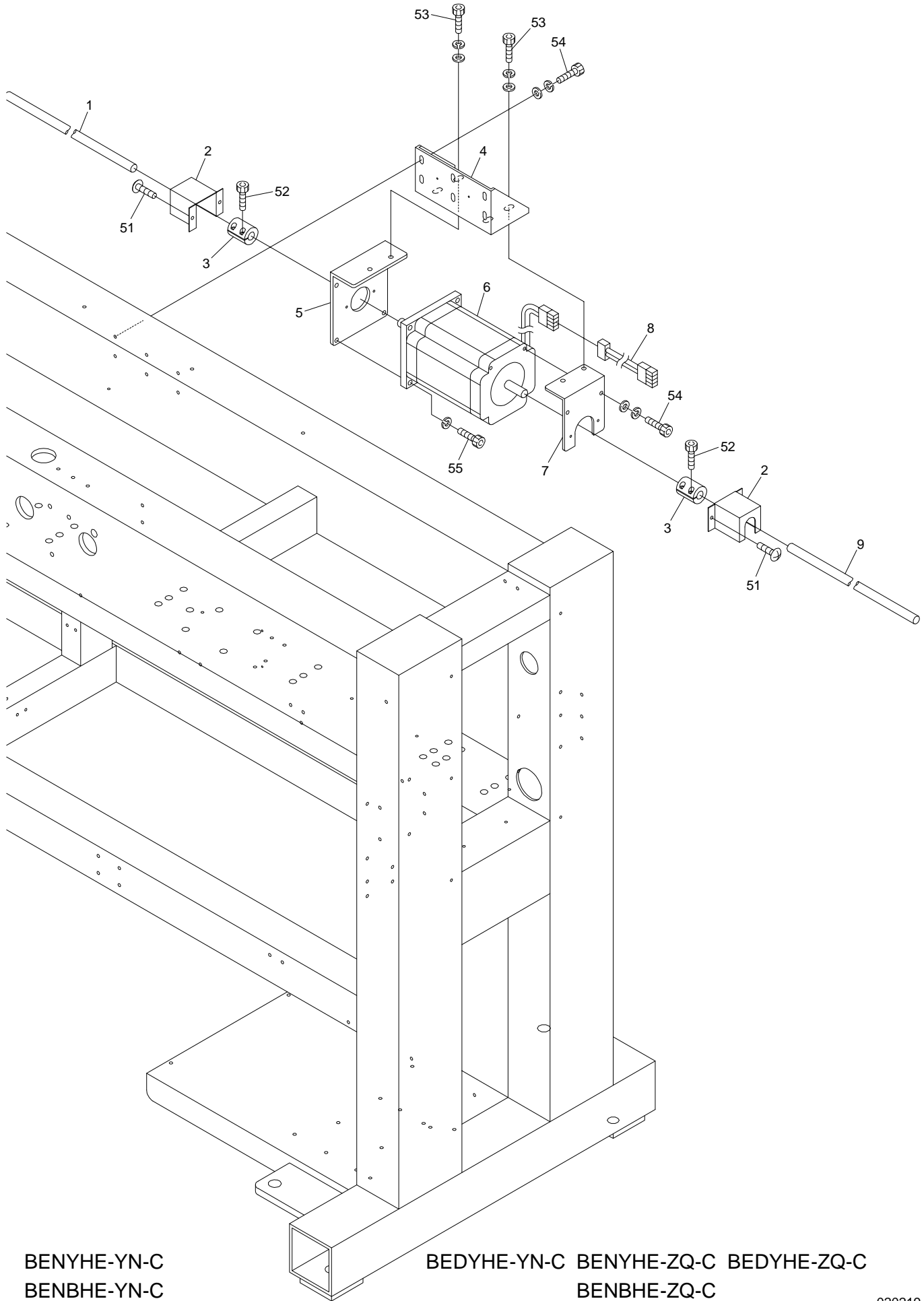


BENYHE-YN-C    BEDYHE-YN-C    BENYHE-ZQ-C    BEDYHE-ZQ-C  
BENBHE-YN-C                      BENBHE-ZQ-C





# 10H Pantograph drive H

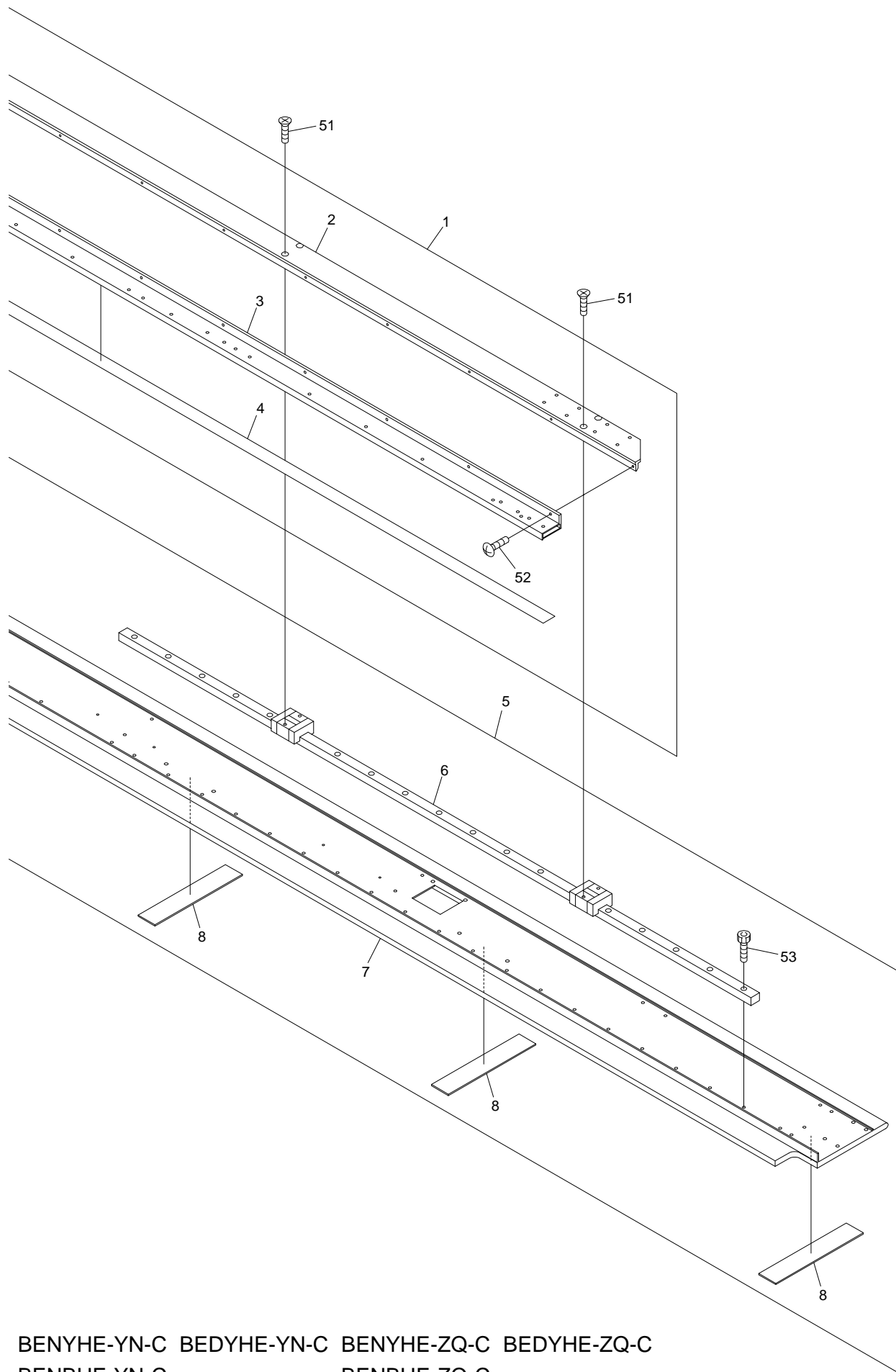


BENYHE-YN-C  
BENBHE-YN-C

BEDYHE-YN-C BENYHE-ZQ-C BEDYHE-ZQ-C  
BENBHE-ZQ-C



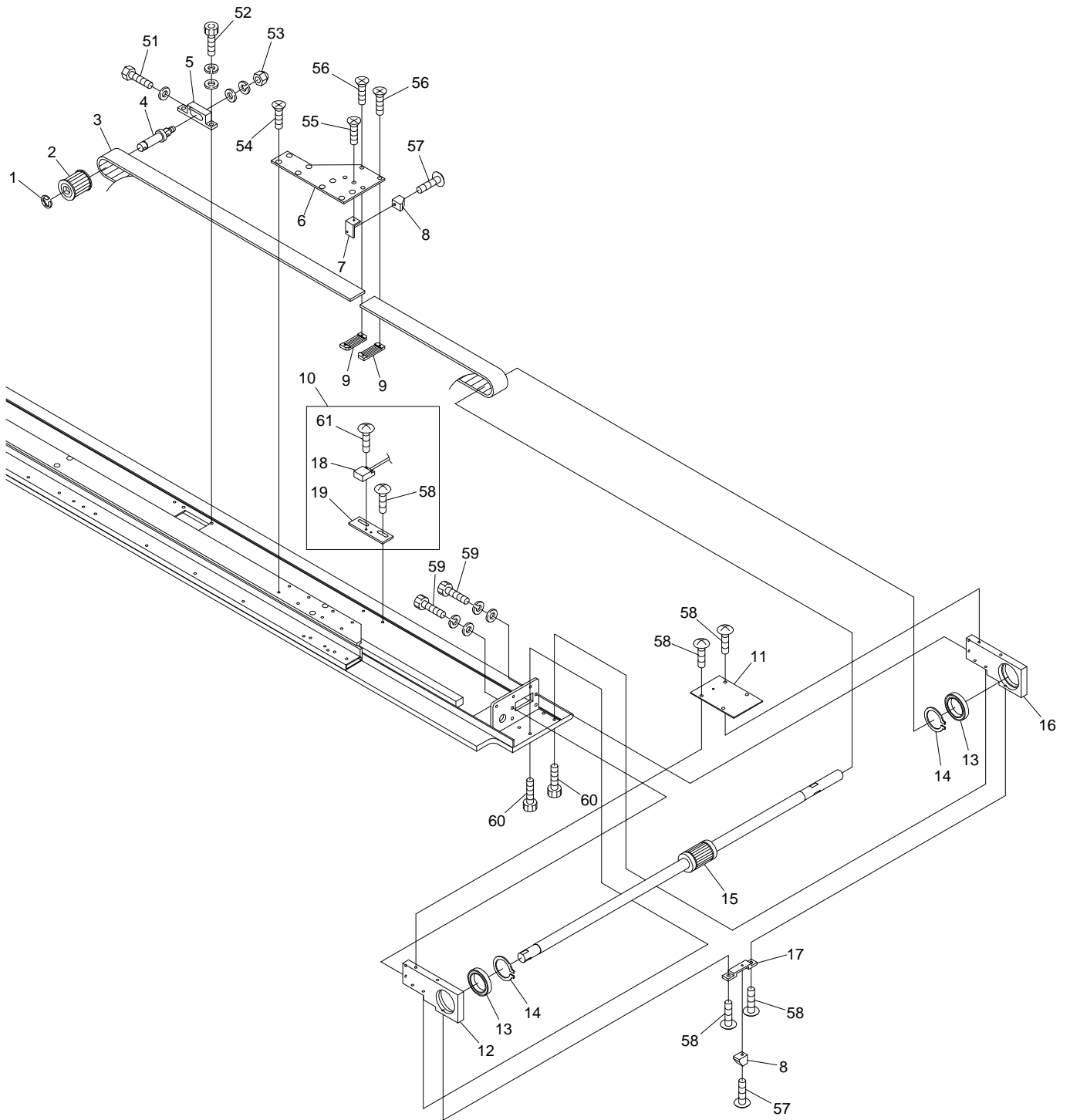
# 10I Pantograph drive I



BENYHE-YN-C BEDYHE-YN-C BENYHE-ZQ-C BEDYHE-ZQ-C  
BENBHE-YN-C BENBHE-ZQ-C



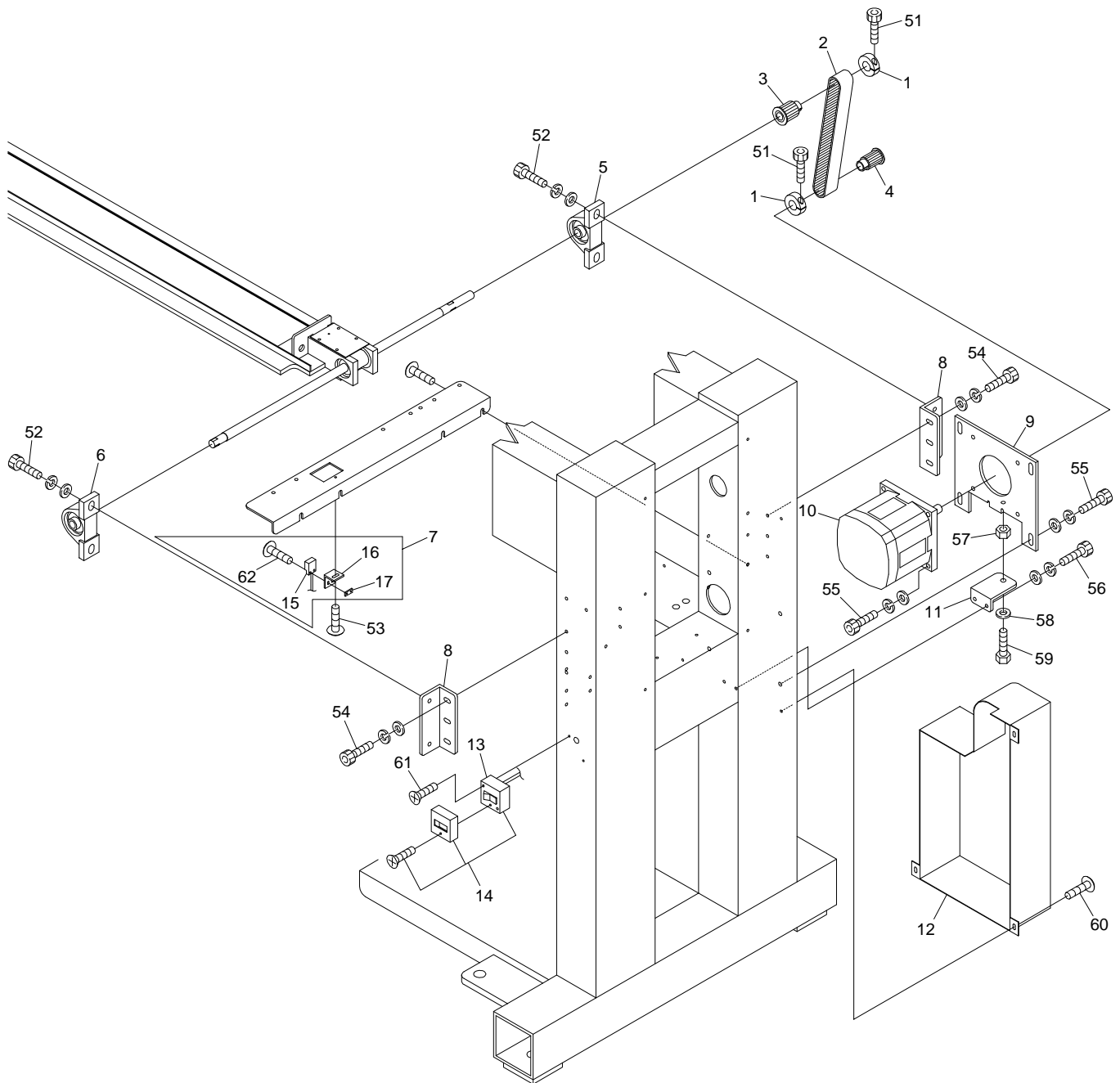
# 10J Pantograph drive J



BEDYHE-YN-C BEDYHE-ZQ-C



# 10K Pantograph drive K

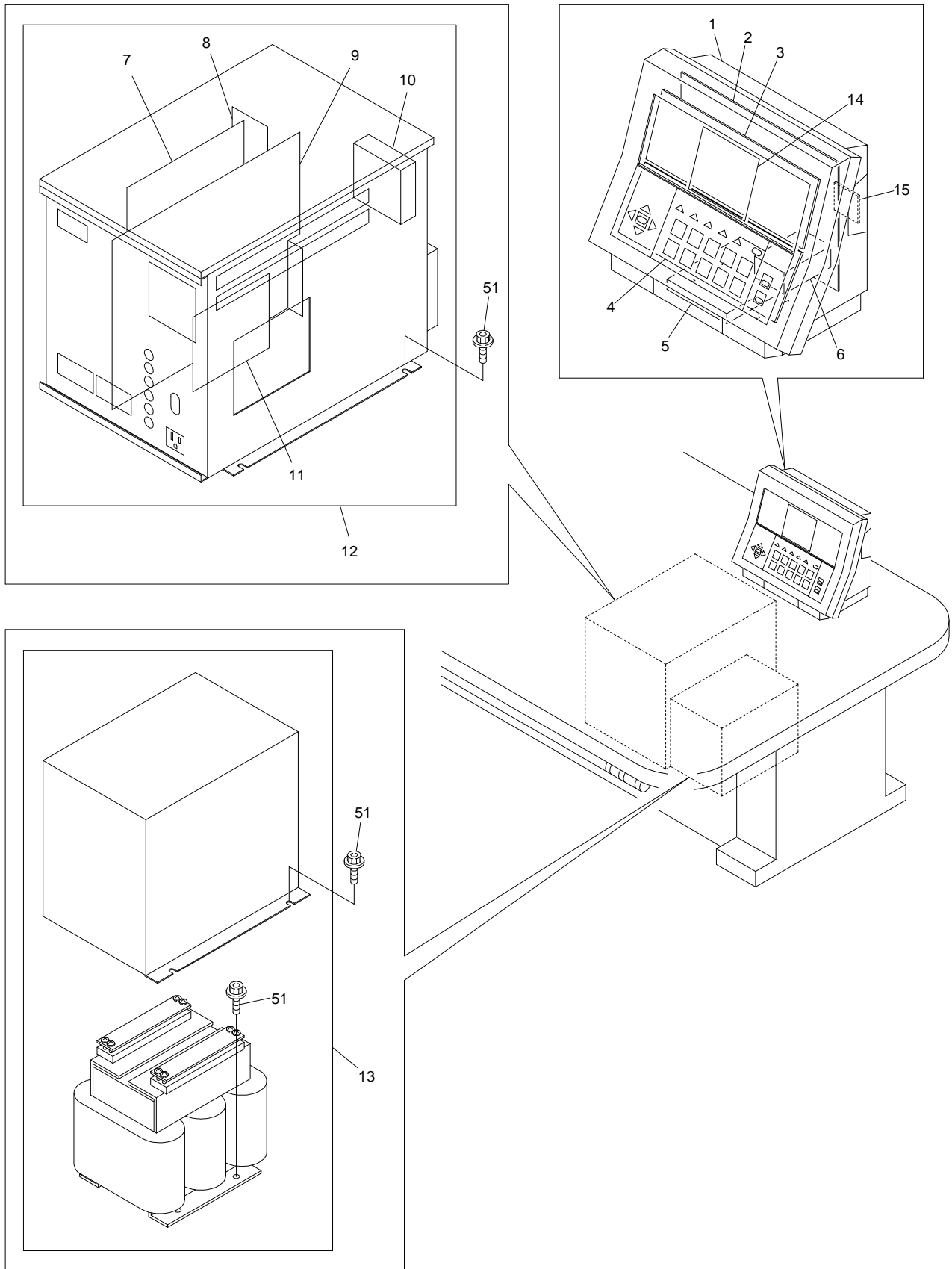


BEDYHE-YN-C BEDYHE-ZQ-C



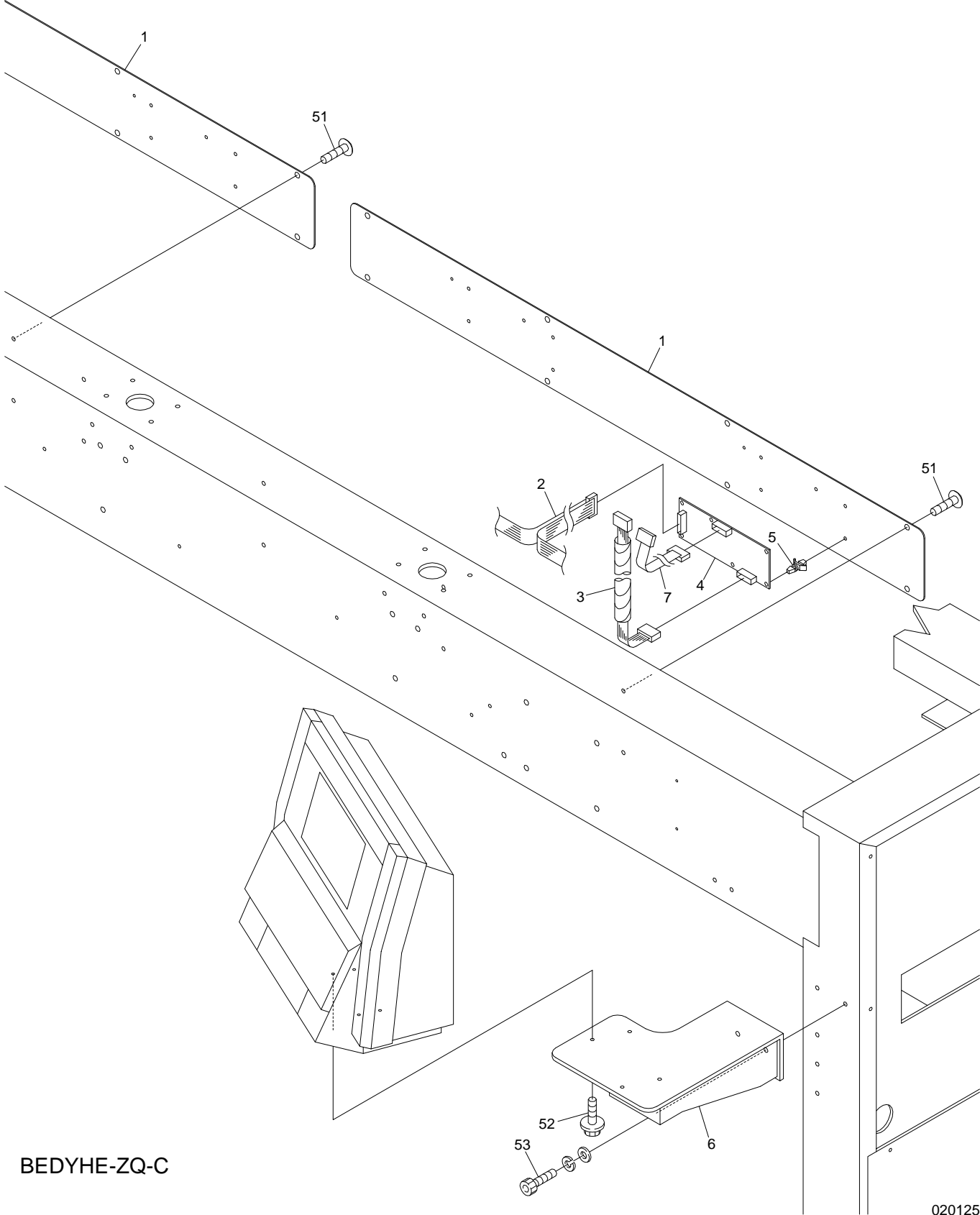


11A Control A



BEDYHE-YN-C BEDYHE-ZQ-C

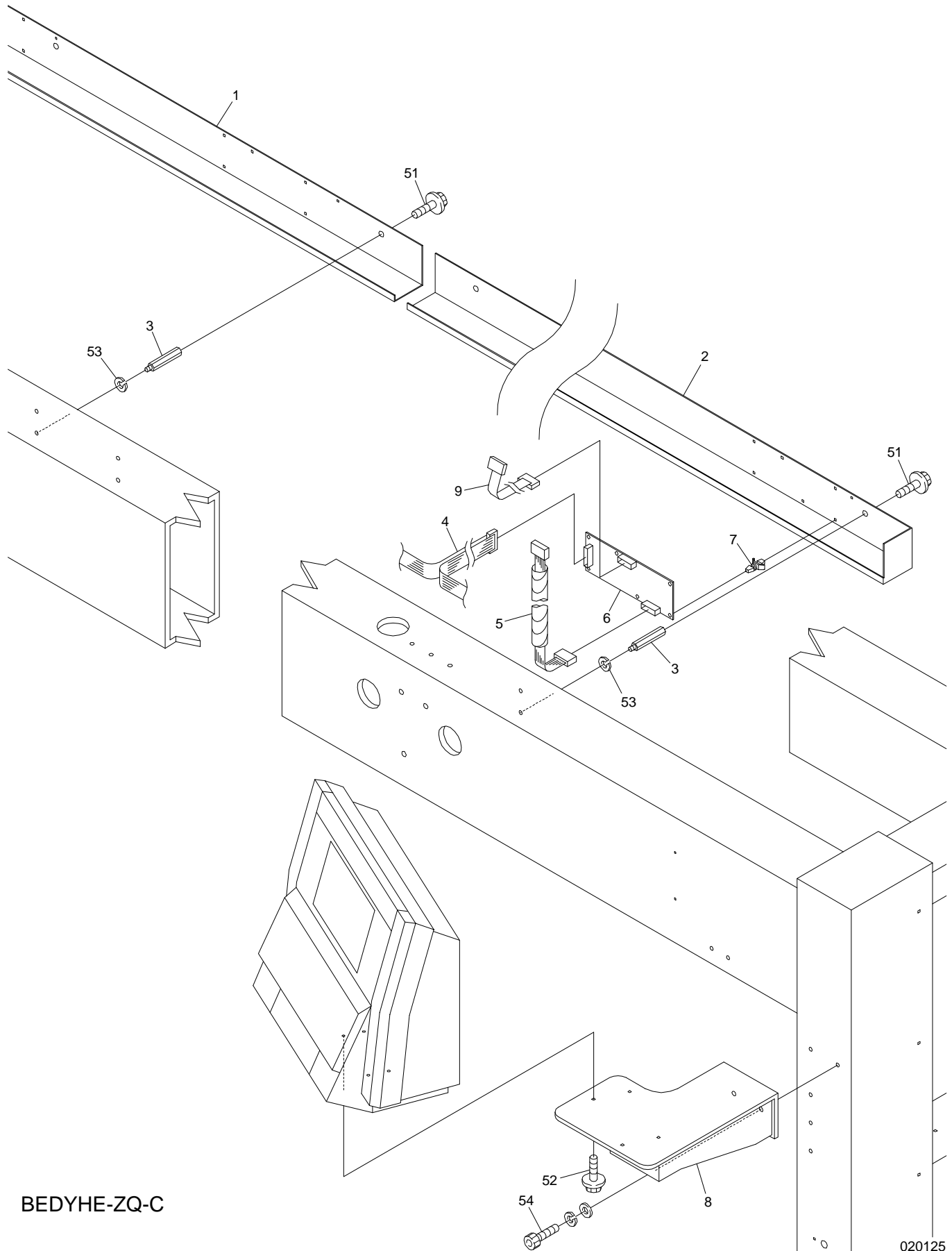




BEDYHE-ZQ-C



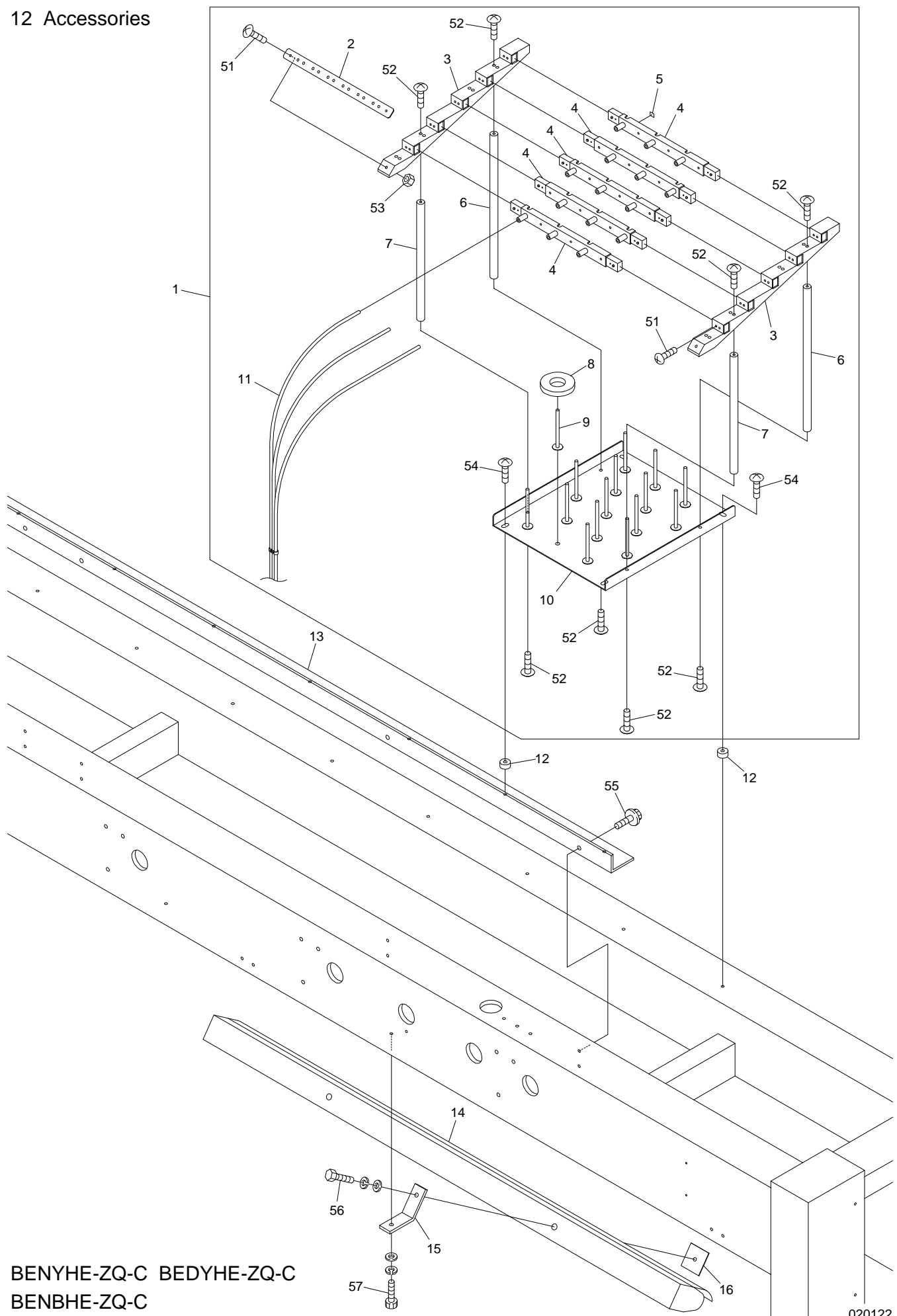
11B-2 Control B(6T)



BEDYHE-ZQ-C



# 12 Accessories



BENYHE-ZQ-C  
 BEDYHE-ZQ-C  
 BENBHE-ZQ-C





## INDEX

LIST No.	SECTION No.	ITEM	LIST No.	SECTION No.	ITEM
A 9 0 1 0 0 0 3	0 8 - 1	7	A 9 0 1 4 1 5 5	0 4 D	11
A 9 0 1 0 0 0 3	0 8 - 2	7	A 9 0 1 4 1 5 8	0 2 C	18
A 9 0 1 0 0 6 1	1 0 J	13	A 9 0 1 4 1 6 1	0 0 A - 1	7
A 9 0 1 0 0 6 2	0 7	13	A 9 0 1 4 1 6 1	0 0 A - 2	7
A 9 0 1 0 0 6 3	0 7	20	A 9 0 1 4 1 6 2	0 0 A - 1	11
A 9 0 1 0 0 6 5	0 4 B	31	A 9 0 1 4 1 6 2	0 0 A - 2	11
A 9 0 1 0 0 7 3	0 3 B	6	A 9 0 1 4 1 6 3	0 0 A - 1	12
A 9 0 1 1 1 1 1	0 1 A	14	A 9 0 1 4 1 6 3	0 0 A - 2	12
A 9 0 1 1 1 2 8	1 0 K	5	A 9 0 1 4 1 6 3	0 0 B	16
A 9 0 1 1 1 7 3	0 2 A	22	A 9 0 1 9 0 4 9	0 0 A - 1	15
A 9 0 1 1 2 4 2	1 0 K	6	A 9 0 1 9 0 4 9	0 0 A - 2	15
A 9 0 1 1 2 4 3	1 0 C	5	A 9 0 2 0 1 8 0	0 8 - 1	5
A 9 0 1 1 2 4 3	1 0 D	2	A 9 0 2 0 1 8 0	0 8 - 2	5
A 9 0 1 1 2 4 3	1 0 E	2	A 9 0 2 0 2 1 1	1 0 K	2
A 9 0 1 1 2 4 3	1 0 F	3	A 9 0 5 2 0 2 8	0 2 C	3
A 9 0 1 1 2 4 4	1 0 C	6	A 9 0 5 2 0 2 9	1 0 K	14
A 9 0 1 1 2 4 4	1 0 F	2	A 9 0 5 2 0 3 0	1 0 J	8
A 9 0 1 2 0 0 2	0 2 B	8	A 9 0 5 2 0 3 1	1 0 J	18
A 9 0 1 2 0 2 7	0 1 A	25	A 9 0 5 2 0 3 1	1 0 K	15
A 9 0 1 2 0 5 2	1 0 C	20	A 9 0 5 2 0 7 8	0 2 B	4
A 9 0 1 2 0 5 2	1 0 D	16	A 9 0 5 2 0 8 0	0 4 D	14
A 9 0 1 2 0 5 2	1 0 E	16	A 9 0 5 2 0 8 1	0 4 D	8
A 9 0 1 2 0 5 2	1 0 F	17	A 9 0 5 3 0 7 9	0 7	2
A 9 0 1 2 0 5 2	1 0 J	1	A 9 0 5 3 0 8 1	0 8 - 1	3
A 9 0 1 2 0 5 3	0 4 B	34	A 9 0 5 3 0 8 1	0 8 - 2	3
A 9 0 1 2 0 6 3	0 8 - 1	9	A 9 0 5 3 0 8 2	0 2 B	32
A 9 0 1 2 0 6 3	0 8 - 2	9	A 9 0 5 4 0 4 0	0 2 B	1
A 9 0 1 2 0 6 6	0 8 - 1	6	A 9 0 5 4 0 5 3	1 1 A	15
A 9 0 1 2 0 6 6	0 8 - 2	6	A 9 0 5 6 0 3 0	0 2 A	17
A 9 0 1 2 0 6 8	0 7	12	A 9 0 5 6 0 3 1	0 2 C	1
A 9 0 1 2 1 2 7	0 2 D	30	A 9 0 5 6 0 3 6	0 5	6
A 9 0 1 2 1 2 7	0 4 B	7	A 9 0 5 6 0 3 7	0 2 D	21
A 9 0 1 2 1 2 7	0 7	19	A 9 0 6 0 0 6 3	0 7	17
A 9 0 1 2 2 0 8	0 7	4	A 9 0 6 5 0 8 8	0 2 B	13
A 9 0 1 2 3 6 8	0 2 D	14	A 9 0 6 5 0 9 2	0 7	6
A 9 0 1 2 3 6 8	0 4 B	21	A 9 0 6 5 0 9 3	0 7	7
A 9 0 1 2 4 0 1	1 0 J	14	A 9 0 6 8 0 3 0	1 0 C	3
A 9 0 1 2 4 2 1	0 3 B	7	A 9 0 6 8 0 3 2	0 6	22
A 9 0 1 2 4 3 7	1 0 A	5	A 9 0 6 8 0 4 8	1 1 B - 1	5
A 9 0 1 2 4 3 7	1 0 B	9	A 9 0 6 8 0 4 8	1 1 B - 2	7
A 9 0 1 2 4 3 8	0 6	4	A 9 0 6 8 0 4 9	1 0 C	22
A 9 0 1 3 0 6 6	0 2 A	8	A 9 0 6 8 0 5 0	1 0 C	23
A 9 0 1 3 0 7 0	0 0 B	6	E A Y 0 5 2 A 3	1 1 A	13
A 9 0 1 4 0 5 9	0 1 A	7	E A Y 0 5 3 A 0	1 0 H	8
A 9 0 1 4 1 5 4	0 4 D	10	E A Y 0 5 4 A 1	1 1 A	1

## INDEX

LIST No.	SECTION No.	ITEM	LIST No.	SECTION No.	ITEM
E A Y 0 6 8 A 2	1 1 A	12	H H 4 8 1 9 8 0	1 0 F	9
E A Y 0 6 8 A 3	1 1 A	13	H H 4 8 1 9 8 0	1 0 K	1
E B Y 0 1 6 2 0	1 1 A	7	H M 1 4 0 1 2 0	0 0 B	8
E B Y 0 1 6 2 5	0 6	19	H M 2 7 0 0 0 0	0 2 A	25
E B Y 0 1 6 2 5	1 1 B - 1	7	H M 2 7 0 0 1 0	0 2 B	6
E B Y 0 1 6 2 5	1 1 B - 2	9	H N 2 7 0 0 1 0	0 2 B	16
E B Y 0 1 6 5 0	0 7	3	H P 2 3 1 3 7 0	0 4 B	17
E B Y 0 1 6 6 3	1 1 B - 1	4	H P 3 2 1 0 9 0	0 1 A	13
E B Y 0 1 6 6 3	1 1 B - 2	6	H P 3 2 1 7 1 0	0 1 B	5
E B Y 0 2 2 3 0	1 1 A	8	H P 3 2 1 7 2 0	0 1 B	1
E B Y 0 2 2 5 0	1 1 A	11	H P 4 8 2 9 4 0	1 0 C	15
E B Y 0 2 3 3 0	1 1 A	2	H P 4 8 2 9 4 0	1 0 D	11
E B Y 0 2 3 4 0	1 1 A	4	H P 4 8 2 9 4 0	1 0 E	11
E B Y 0 2 3 5 0	1 1 A	3	H P 4 8 2 9 4 0	1 0 F	12
E B Y 0 2 4 4 0	1 1 A	5	H P 4 8 2 9 4 0	1 0 J	9
E B Y 0 2 4 5 0	1 1 A	14	H S 2 1 0 0 2 0	0 1 A	1
E B Y 0 2 4 6 0	1 1 A	6	H S 2 1 0 0 2 1	0 1 A	1
E B Y 0 2 6 1 0	0 6	18	H S 2 1 0 0 3 1	0 1 A	24
E B Y 0 2 7 0 0	1 1 A	9	H S 2 1 0 0 4 2	0 1 A	11
F A 9 0 4 1 4 7	1 1 A	10	H S 2 1 0 0 5 1	0 2 A	13
F N 0 7 0 0 1 1 S	0 4 A	25	H S 2 1 0 0 6 0	0 2 A	18
FR92300290A380A	1 0 B	1	H S 2 1 0 0 7 0	0 2 A	16
FR92460434A520S	1 0 B	1	H S 2 1 0 0 8 0	0 2 A	21
H B 2 3 0 0 7 0	0 3 B	8	H S 2 1 0 0 9 0	0 2 A	23
H B 2 3 0 0 8 0	0 3 B	9	H S 2 1 0 1 0 0	0 2 A	12
H B 2 3 0 2 0 0	0 4 B	11	H S 2 1 0 1 1 1	0 2 A	10
H B 2 3 0 2 2 0	0 4 C	10	H S 2 1 0 1 2 1	0 2 A	11
H B 2 3 0 2 6 1	0 4 C	9	H S 2 1 0 1 4 2	0 2 A	14
H B 2 3 0 2 7 1	0 4 C	3	H S 2 1 0 1 9 0	0 1 A	10
H B 2 3 0 2 8 1	0 4 C	7	H S 2 1 0 2 3 0	0 1 A	17
H B 2 3 0 3 6 1	0 4 C	6	H S 2 1 0 3 0 0	0 2 A	14
H B 2 3 0 6 2 0	0 3 B	12	H S 2 2 0 0 1 0	0 1 A	4
H B 2 3 0 6 5 0	0 3 B	17	H S 2 7 0 0 3 0	0 2 B	2
H B 2 3 0 8 0 0	0 3 B	15	H S 2 7 0 0 7 0	0 2 B	31
H B 2 4 0 0 2 0	0 5	8	H S 2 7 0 1 1 0	0 2 B	15
H B 2 4 0 0 3 0	0 5	9	H T 2 2 0 0 6 1	0 1 A	5
H B 2 4 0 0 4 1	0 5	10	H T 2 3 0 1 2 0	0 4 A	21
H B 5 6 0 0 6 0	0 5	12	H T 2 3 0 2 2 0	0 5	4
H B 5 6 0 0 8 0	0 5	11	H T 2 3 0 2 6 3	0 4 A	13
H B 5 6 0 2 1 1	0 5	13	H T 2 3 0 2 8 0	0 4 B	24
H B 7 1 0 0 2 0	1 2	16	H T 2 3 0 2 9 0	0 4 B	19
H H 4 8 1 9 3 1	1 0 H	3	H T 2 3 0 3 2 0	0 4 B	18
H H 4 8 1 9 8 0	1 0 C	12	H T 2 3 0 3 3 0	0 4 A	12
H H 4 8 1 9 8 0	1 0 D	8	H T 2 3 0 3 4 0	0 4 B	26
H H 4 8 1 9 8 0	1 0 E	8	H T 2 3 0 3 8 0	0 4 C	5

## INDEX

LIST No.	SECTION No.	ITEM	LIST No.	SECTION No.	ITEM
HT 2 3 0 4 1 0	0 4 C	8	K F 2 2 0 7 0 0	0 1 A	21
HT 2 3 0 4 2 0	0 4 C	11	K F 2 2 1 0 2 0	0 1 A	23
HT 2 3 0 4 5 0	0 4 B	9	K F 2 2 1 0 4 0	0 1 A	21
HT 2 3 0 4 6 0	0 4 B	14	K F 2 3 0 5 0 1	0 3 B	24
HT 2 3 0 4 7 1	0 4 B	4	K F 2 3 0 5 3 0	0 4 B	8
HT 2 3 0 4 8 0	0 4 B	15	K F 2 3 0 5 8 2	0 2 D	2
HT 2 3 0 4 9 1	0 4 B	5	K F 2 3 0 6 8 0	0 3 B	23
HT 2 3 0 5 0 0	0 4 B	16	K F 2 3 0 9 1 0	0 4 A	20
HT 2 3 0 5 1 0	0 4 B	12	K F 2 3 0 9 2 0	0 4 A	15
HT 2 3 0 5 2 0	0 2 D	13	K F 2 5 0 2 2 0	0 2 D	7
HT 2 3 0 5 2 0	0 4 B	20	K F 2 5 0 2 3 1	0 2 D	9
HT 2 3 0 5 6 0	0 4 B	25	K F 2 5 0 2 4 1	0 2 D	8
HT 2 3 0 5 9 0	0 4 C	1	K F 2 5 0 2 5 0	0 2 D	10
HT 2 3 0 6 0 0	0 4 C	14	K F 7 1 0 3 9 0	1 2	8
HT 2 3 0 6 1 0	0 4 C	13	K F 7 3 0 5 0 0	1 0 A	3
HT 2 3 0 6 2 0	0 5	3	K F 7 3 0 7 5 0	1 0 A	1
HT 2 3 0 7 2 0	0 4 C	15	K F 7 3 0 7 6 0	1 0 A	2
HT 2 3 0 7 3 0	0 4 B	6	K L 2 2 0 1 4 0	0 1 A	8
HT 2 3 0 7 5 0	0 4 B	3	K L 2 7 0 0 8 1	0 2 C	4
HT 2 3 0 7 6 0	0 4 B	10	K L 2 7 0 0 9 1	0 2 C	8
HT 2 3 0 7 7 0	0 4 B	13	K L 2 7 0 1 0 1	0 2 C	9
HT 2 4 0 1 0 1	0 6	10	K L 2 7 0 1 1 0	0 2 C	6
HT 2 4 0 1 8 0	0 6	11	K L 2 7 0 1 2 0	0 2 C	10
HT 2 4 0 2 9 0	0 6	7	K L 2 7 0 1 3 0	0 2 C	11
HT 2 7 0 0 6 3	0 2 D	22	K L 2 7 0 2 6 0	0 2 C	2
HT 2 7 0 1 8 1	0 2 A	3	K L 2 7 0 4 5 0	0 2 C	7
HT 7 1 0 0 0 0	1 2	9	K N 2 7 0 9 5 2	0 2 A	7
H V 4 8 0 0 6 0	1 0 H	6	K N 2 7 0 9 6 1	0 2 A	5
H V 7 1 0 0 1 0	1 2	14	K N 2 7 1 5 6 0	0 2 A	24
H V 7 1 0 0 2 0	1 2	14	K N 2 7 1 7 5 0	0 2 B	7
K A 4 8 0 0 1 0	1 0 H	6	K N 2 7 1 7 8 2	0 2 B	5
K C 2 5 0 4 8 2	0 1 A	19	K N 2 7 2 0 1 0	0 2 A	9
K C 2 7 0 1 0 1	0 2 D	32	K N 2 7 2 3 5 0	0 2 B	17
K C 2 7 1 0 0 1	0 2 A	15	K N 2 7 2 4 0 1	0 2 A	19
K C 2 7 1 4 3 0	0 2 B	12	K N 2 7 2 4 0 1	0 2 C	5
K C 2 7 1 9 4 0	0 2 A	20	K N 5 1 1 0 2 0	0 1 B	3
K C 3 3 0 1 8 0	0 2 B	3	K N 5 4 0 5 1 0	0 6	9
K C 3 3 0 4 1 0	0 2 B	10	K V 2 3 0 0 4 0	0 4 A	11
K C 3 3 0 5 1 0	0 2 B	9	K W 7 1 0 0 6 0	1 0 K	13
K F 2 2 0 2 3 0	0 1 A	3	K W 7 1 0 0 7 0	1 0 K	13
K F 2 2 0 2 4 0	0 1 A	20	K X 2 3 0 0 5 0	0 4 B	30
K F 2 2 0 2 9 0	0 1 A	2	K X 2 3 0 0 8 0	0 4 B	33
K F 2 2 0 3 0 2	0 1 A	23	K X 2 3 0 1 2 0	0 3 A	5
K F 2 2 0 4 2 1	0 1 A	22	K X 2 3 0 1 4 1	0 3 A	2
K F 2 2 0 5 3 0	0 1 A	22	K X 2 3 0 1 5 2	0 3 A	1

## INDEX

LIST No.	SECTION No.	ITEM	LIST No.	SECTION No.	ITEM
K X 2 3 0 1 9 2	0 4 A	3	R D 2 3 0 1 9 1	0 5	5
K X 2 3 0 2 5 1	0 4 A	14	R D 2 3 0 2 0 1	0 3 A	3
K X 2 3 0 3 1 0	0 3 A	6	R D 2 3 0 2 3 0	0 4 B	32
K X 2 5 0 0 8 0	0 1 A	9	R D 2 3 0 2 4 0	0 4 B	28
K X 2 5 0 0 8 0	0 2 A	2	R D 2 3 0 2 5 0	0 5	7
K X 2 5 0 0 8 0	1 0 A	11	R D 2 3 0 3 4 0	0 5	1
K X 2 5 0 0 8 0	1 0 B	12	R D 2 3 0 3 7 0	0 4 A	18
K X 2 7 0 0 0 0	0 2 A	26	R D 2 3 0 4 8 0	0 4 A	7
K X 2 7 0 0 1 0	0 2 A	6	R D 2 3 0 4 9 0	0 4 A	9
K X 2 7 0 0 2 3	0 2 A	4	R D 2 4 0 1 5 4	0 6	5
K X 2 7 0 0 7 0	0 2 C	14	R D 2 4 0 2 7 1	0 4 D	6
K X 2 7 0 0 9 0	0 2 D	4	R D 2 5 0 0 8 0	0 4 A	5
K X 2 7 0 1 0 0	0 2 D	6	R D 2 7 0 0 1 0	0 2 D	33
K X 2 7 0 1 1 0	0 2 D	5	R D 2 7 0 0 2 0	0 2 C	13
K X 2 7 0 1 2 0	0 2 D	3	R D 2 7 0 0 3 2	0 2 C	15
K X 2 7 0 2 8 3	0 2 A	1	R D 2 7 0 0 4 0	0 2 C	12
K X 2 7 0 2 9 0	0 2 D	17	R D 2 7 0 0 5 0	0 2 D	1
K X 2 7 0 3 0 0	0 2 D	19	R D 2 7 0 0 6 0	0 2 D	34
K X 2 7 0 3 1 0	0 2 D	18	R D 5 1 0 0 3 0	1 1 B - 1	3
K X 2 7 0 3 2 0	0 2 D	16	R D 5 1 0 0 3 0	1 1 B - 2	5
K X 2 7 0 3 4 0	0 2 D	11	R D 7 1 0 3 1 0	1 2	11
K X 2 7 0 3 5 0	0 2 D	20	R D 7 1 0 3 3 0	1 2	4
K X 2 7 0 3 6 0	0 2 D	15	R D 7 1 0 3 4 0	1 2	3
K X 2 7 0 4 3 0	0 2 A	27	R D 7 1 0 3 5 1	1 2	7
K X 3 3 0 0 2 0	0 4 D	2	R D 7 1 0 3 6 1	1 2	6
K X 5 1 0 1 4 0	0 4 D	15	R D 7 1 0 3 7 0	1 2	2
L A 2 3 0 2 8 1	0 3 A	7	R D 7 1 0 3 8 0	1 2	5
L A 2 7 0 0 7 0	0 2 D	12	R F 4 5 0 0 4 1	1 0 K	17
L A 3 3 0 1 6 0	0 4 D	1	R H 2 3 0 2 7 1	0 3 B	14
L A 7 3 0 5 9 0	1 0 B	6	R H 2 3 0 2 8 0	0 3 B	13
L A 7 3 0 6 1 0	1 0 B	4	R H 2 3 0 2 9 0	0 3 B	10
L A 7 3 0 6 3 0	1 0 B	5	R H 2 3 0 3 0 0	0 3 B	11
L A 7 3 0 6 5 0	1 0 B	3	R H 2 3 0 3 1 1	0 3 B	20
M T 2 7 2 5 0 0	0 2 A	25	R H 2 3 0 3 2 0	0 3 B	28
R A 3 1 0 3 8 0	0 8 - 1	2	R H 2 3 0 3 3 0	0 3 B	27
R D 2 3 0 0 2 0	0 4 A	1	R H 2 3 0 4 1 0	0 4 A	10
R D 2 3 0 0 3 1	0 4 A	2	R H 2 3 0 4 4 0	0 4 A	22
R D 2 3 0 0 5 0	0 4 B	29	R H 2 3 0 4 5 0	0 4 A	24
R D 2 3 0 0 6 0	0 4 A	17	R H 2 3 0 4 6 0	0 4 A	23
R D 2 3 0 0 8 0	0 3 A	4	R H 2 3 0 5 4 0	0 4 B	23
R D 2 3 0 1 1 1	0 4 D	3	R H 2 3 0 5 5 0	0 4 B	22
R D 2 3 0 1 3 0	0 3 B	19	R H 2 3 0 6 1 0	0 3 B	25
R D 2 3 0 1 5 0	0 4 B	2	R H 2 3 0 8 0 1	0 3 B	22
R D 2 3 0 1 7 0	0 4 A	8	R H 2 3 0 8 1 0	0 3 B	21
R D 2 3 0 1 8 0	0 4 A	4	R N 2 3 0 0 0 0	0 3 B	1

## INDEX

LIST No.	SECTION No.	ITEM	LIST No.	SECTION No.	ITEM
R N 2 3 0 0 1 0	0 3 B	2	R V 2 5 0 0 1 1	0 4 D	5
R N 2 3 0 0 2 0	0 3 B	3	R V 2 5 0 0 2 1	0 4 D	5
R N 2 3 0 0 3 0	0 3 B	4	R V 2 5 0 0 3 1	0 4 D	5
R N 2 3 0 0 4 0	0 3 B	5	R V 2 5 0 0 4 0	0 4 D	16
R N 2 3 0 0 6 1	0 3 B	1	R V 2 5 0 0 5 0	0 4 D	7
R N 2 3 0 0 7 1	0 3 B	10	R V 2 5 0 0 6 0	0 4 A	5
R P 3 1 0 1 7 0	0 8 - 1	1	R V 2 5 0 0 7 0	0 4 D	4
R P 3 1 0 1 7 0	0 8 - 2	1	R V 2 5 0 0 9 0	0 2 C	16
R P 3 1 0 2 0 1	0 8 - 1	2	R V 2 5 0 1 1 1	0 2 C	17
R P 3 1 0 2 0 1	0 8 - 2	2	R V 2 5 0 1 2 1	0 2 C	19
R P 4 8 0 2 0 0	1 0 C	18	S C 1 2 0 0 1 0	0 0 B	7
R P 4 8 0 2 0 0	1 0 D	14	S C 1 2 0 0 2 0	0 0 B	9
R P 4 8 0 2 0 0	1 0 E	14	S C 1 2 0 0 3 0	0 0 B	1
R P 4 8 0 2 0 0	1 0 F	15	S C 1 2 0 0 4 0	0 0 B	3
R Q 1 2 0 0 8 0	0 0 B	4	S C 1 4 0 0 2 0	0 0 B	18
R Q 3 1 0 0 0 0	0 8 - 1	8	S C 1 4 0 0 3 0	0 0 B	17
R Q 3 1 0 0 0 0	0 8 - 2	8	S C 1 4 0 0 4 0	0 0 B	15
R R 2 4 0 3 0 0	0 6	8	S C 1 4 0 0 9 0	0 0 B	5
R R 2 4 0 3 3 0	0 6	20	S C 1 4 0 1 1 0	0 0 A - 1	8
R R 2 4 0 3 9 0	0 6	12	S C 1 4 0 1 1 0	0 0 A - 2	8
R R 2 4 0 5 1 0	0 6	6	S C 1 4 0 1 2 0	0 0 A - 1	6
R V 2 1 0 0 0 0	0 3 B	26	S C 1 4 0 1 2 0	0 0 A - 2	6
R V 2 3 0 0 1 0	0 4 A	16	S C 1 4 0 1 3 0	0 0 A - 1	5
R V 2 3 0 0 2 0	0 4 B	1	S C 1 4 0 1 3 0	0 0 A - 2	5
R V 2 3 0 0 3 0	0 4 A	19	S C 1 4 0 1 4 0	0 0 B	12
R V 2 3 0 0 4 0	0 4 A	6	S C 1 4 0 1 6 0	0 0 A - 1	13
R V 2 3 0 0 5 0	0 5	2	S C 1 4 0 1 6 0	0 0 A - 2	13
R V 2 3 0 0 6 0	0 3 B	18	S C 1 4 0 1 7 0	0 0 A - 1	14
R V 2 3 0 0 7 0	0 3 B	16	S C 1 4 0 1 7 0	0 0 A - 2	14
R V 2 3 0 1 2 0	0 4 A	6	S C 1 4 0 1 8 0	0 0 A - 1	10
R V 2 3 0 1 3 0	0 4 A	16	S C 1 4 0 1 8 0	0 0 A - 2	10
R V 2 3 0 1 8 0	0 4 C	12	S C 1 6 0 0 1 0	0 0 A - 1	16
R V 2 3 0 1 9 0	0 4 C	4	S C 1 6 0 0 1 0	0 0 A - 2	16
R V 2 3 0 2 0 0	0 4 C	2	S C 1 6 0 0 2 0	0 0 A - 1	17
R V 2 3 0 2 5 0	0 4 B	27	S C 1 6 0 0 2 0	0 0 A - 2	17
R V 2 4 0 0 1 0	0 6	13	S C 1 6 0 0 3 0	0 0 A - 1	18
R V 2 4 0 0 2 0	0 6	3	S C 1 6 0 0 3 0	0 0 A - 2	18
R V 2 4 0 0 4 0	0 6	14	S C 1 6 0 0 4 0	0 8 - 2	4
R V 2 4 0 0 5 0	0 6	15	S C 2 1 0 0 0 0	0 1 A	15
R V 2 4 0 0 6 1	0 6	17	S C 2 1 0 0 1 0	0 0 B	13
R V 2 4 0 0 7 0	0 6	24	S C 2 1 0 0 1 0	0 1 A	16
R V 2 4 0 0 8 0	0 6	23	S C 2 5 0 0 0 0	0 8 - 1	18
R V 2 4 0 0 9 0	0 6	16	S C 2 5 0 0 0 0	0 8 - 2	18
R V 2 4 0 1 0 0	0 6	1	S C 2 5 0 0 1 0	0 8 - 2	22
R V 2 4 0 1 1 0	0 6	2	S C 2 5 0 0 2 0	0 2 B	14

## INDEX

LIST No.	SECTION No.	ITEM	LIST No.	SECTION No.	ITEM
SC 2 5 0 0 3 0	1 0 H	2	SC 3 3 0 1 2 0	0 7	18
SC 2 5 0 0 4 0	1 0 C	9	SC 3 3 0 1 3 0	0 1 B	2
SC 2 5 0 0 4 0	1 0 D	5	SC 4 8 0 0 0 0	1 0 K	3
SC 2 5 0 0 4 0	1 0 E	5	SC 4 8 0 0 1 0	1 0 C	19
SC 2 5 0 0 4 0	1 0 F	6	SC 4 8 0 0 1 0	1 0 D	15
SC 2 5 0 0 7 0	1 0 C	10	SC 4 8 0 0 1 0	1 0 E	15
SC 2 5 0 0 7 0	1 0 D	6	SC 4 8 0 0 1 0	1 0 F	16
SC 2 5 0 0 7 0	1 0 E	6	SC 4 8 0 0 1 0	1 0 J	2
SC 2 5 0 0 7 0	1 0 F	7	SC 4 8 0 0 2 0	1 0 C	14
SC 2 5 0 0 8 0	0 1 B	4	SC 4 8 0 0 2 0	1 0 D	10
SC 2 7 0 0 0 0	0 2 B	11	SC 4 8 0 0 2 0	1 0 E	10
SC 3 1 0 0 0 0	0 8 - 1	17	SC 4 8 0 0 2 0	1 0 F	11
SC 3 1 0 0 0 0	0 8 - 2	17	SC 4 8 0 0 2 0	1 0 J	3
SC 3 1 0 0 1 0	0 8 - 1	14	SC 4 8 0 0 3 0	1 0 C	17
SC 3 1 0 0 1 0	0 8 - 2	14	SC 4 8 0 0 3 0	1 0 D	13
SC 3 1 0 0 2 0	0 8 - 1	10	SC 4 8 0 0 3 0	1 0 E	13
SC 3 1 0 0 2 0	0 8 - 2	10	SC 4 8 0 0 3 0	1 0 F	14
SC 3 1 0 0 3 0	0 8 - 1	11	SC 4 8 0 0 3 0	1 0 J	4
SC 3 1 0 0 3 0	0 8 - 2	11	SC 4 8 0 0 4 0	1 0 C	11
SC 3 1 0 0 4 0	0 8 - 2	12	SC 4 8 0 0 4 0	1 0 D	7
SC 3 1 0 0 5 0	0 8 - 1	15	SC 4 8 0 0 4 0	1 0 E	7
SC 3 1 0 0 5 0	0 8 - 2	15	SC 4 8 0 0 4 0	1 0 F	8
SC 3 1 0 0 6 0	0 8 - 1	13	SC 4 8 0 0 5 0	1 0 C	16
SC 3 1 0 0 6 0	0 8 - 2	13	SC 4 8 0 0 5 0	1 0 D	12
SC 3 1 0 0 7 0	0 8 - 1	19	SC 4 8 0 0 5 0	1 0 E	12
SC 3 1 0 0 7 0	0 8 - 2	19	SC 4 8 0 0 5 0	1 0 F	13
SC 3 1 0 0 8 0	0 8 - 2	23	SC 4 8 0 0 7 0	1 0 K	8
SC 3 1 0 0 9 0	0 8 - 2	20	SC 4 8 0 0 8 0	1 0 C	24
SC 3 1 0 1 0 0	0 8 - 1	16	SC 4 8 0 0 9 0	1 0 F	19
SC 3 1 0 1 0 0	0 8 - 2	16	SC 4 8 0 1 0 0	1 0 D	18
SC 3 1 0 1 1 0	0 8 - 1	22	SC 4 8 0 1 1 0	1 0 E	18
SC 3 1 0 1 2 0	0 8 - 1	20	SC 4 8 0 1 2 0	1 0 C	21
SC 3 1 0 1 3 0	0 8 - 1	22	SC 4 8 0 1 3 0	1 0 F	18
SC 3 1 0 1 4 0	0 8 - 1	20	SC 4 8 0 1 4 0	1 0 D	17
SC 3 1 0 1 5 0	0 8 - 1	12	SC 4 8 0 1 5 0	1 0 E	17
SC 3 3 0 0 1 0	0 7	11	SC 4 8 0 1 6 0	1 0 J	5
SC 3 3 0 0 2 0	0 7	22	SC 4 8 0 1 7 0	1 0 K	10
SC 3 3 0 0 3 0	0 7	21	SC 4 8 0 1 8 1	1 0 K	7
SC 3 3 0 0 4 0	0 7	10	SC 4 8 0 1 9 0	1 0 J	7
SC 3 3 0 0 5 0	0 7	15	SC 4 8 0 2 0 1	1 0 J	10
SC 3 3 0 0 6 0	0 7	16	SC 4 8 0 2 1 0	1 0 C	8
SC 3 3 0 0 8 0	0 7	8	SC 4 8 0 2 1 0	1 0 D	4
SC 3 3 0 0 9 0	0 7	14	SC 4 8 0 2 1 0	1 0 E	4
SC 3 3 0 1 0 0	0 7	5	SC 4 8 0 2 1 0	1 0 F	5
SC 3 3 0 1 1 0	0 7	1	SC 4 8 0 2 2 0	1 0 H	4

## INDEX

LIST No.	SECTION No.	ITEM	LIST No.	SECTION No.	ITEM
SC 480230	10 J	11	SC 481290	10 I	6
SC 480240	10 J	17	SC 481300	10 G	8
SC 480260	10 J	6	SC 481310	10 G	1
SC 480290	10 C	26	SC 481320	10 I	3
SC 480300	10 J	12	SC 481330	10 H	1
SC 480310	10 J	16	SC 481340	10 I	4
SC 480330	10 C	4	SC 481370	08 - 1	1
SC 480330	10 D	1	SC 481390	10 I	1
SC 480330	10 E	1	SC 481400	10 I	5
SC 480330	10 F	1	SC 481710	10 K	16
SC 480340	10 H	5	SC 481720	10 J	19
SC 480350	10 H	7	SC 510000	12	15
SC 480360	10 H	9	SC 510020	11 B - 2	3
SC 480370	10 H	1	SC 510030	11 B - 2	2
SC 480800	10 I	5	SC 510040	11 B - 2	1
SC 480810	10 I	7	SC 510180	11 B - 1	1
SC 480820	10 I	6	SC 710010	12	10
SC 480830	10 I	8	SC 710020	12	13
SC 481000	10 I	1	SC 710030	12	12
SC 481010	10 I	4	SC 710040	12	13
SC 481020	10 I	3	SC 730000	10 A	8
SC 481030	10 I	2	SC 730010	10 A	4
SC 481040	10 G	1	SC 730030	10 A	7
SC 481050	10 G	2	SC 730041	10 A	6
SC 481060	10 G	3	SC 730050	10 A	4
SC 481070	10 G	7	SC 730060	10 A	8
SC 481080	10 G	4	SC 730092	10 B	2
SC 481090	10 G	10	SC 730102	10 B	7
SC 481100	10 G	9	SC 730111	10 B	8
SC 481110	10 G	8	SC 730230	10 A	9
SC 481120	10 G	5	SC 730230	10 B	10
SC 481130	10 G	6	SC 730240	10 A	10
SC 481140	10 H	1	SC 730240	10 B	11
SC 481150	10 I	2	SF 250140	04 D	12
SC 481160	10 I	3	SF 250150	04 D	9
SC 481170	10 I	4	SJ 120000	00 B	2
SC 481180	10 I	1	SJ 120010	00 B	2
SC 481190	10 I	7	SJ 120030	00 B	2
SC 481200	10 I	5	SJ 130000	08 - 1	21
SC 481210	10 G	8	SJ 130000	08 - 2	21
SC 481220	10 G	10	SJ 130010	08 - 1	21
SC 481230	10 G	1	SJ 130010	08 - 2	21
SC 481240	10 I	7	SJ 130020	08 - 1	21
SC 481250	10 I	2	SJ 130020	08 - 2	21
SC 481280	10 H	7	SJ 130030	08 - 1	21



## INDEX

LIST No.	SECTION No.	ITEM	LIST No.	SECTION No.	ITEM
S J 1 3 0 0 3 0	0 8 - 2	21	S J 4 8 0 0 1 0	1 0 F	4
S J 1 3 0 0 4 0	0 8 - 1	21	S J 4 8 0 0 2 0	1 0 C	25
S J 1 3 0 0 4 0	0 8 - 2	21	S J 4 8 0 0 2 0	1 0 D	19
S J 1 4 0 0 0 0	0 0 B	14	S J 4 8 0 0 2 0	1 0 E	19
S J 1 4 0 0 1 0	0 0 B	11	S J 4 8 0 0 2 0	1 0 F	20
S J 1 4 0 0 2 0	0 0 B	10	S J 4 8 0 0 3 0	1 0 K	9
S J 1 4 0 0 3 0	0 0 A - 1	9	S J 4 8 0 0 4 0	1 0 K	11
S J 1 4 0 0 3 0	0 0 A - 2	9	S J 4 8 0 0 5 0	1 0 J	15
S J 1 4 0 0 4 0	0 0 A - 1	3	S J 5 1 0 0 0 0	1 1 B - 1	6
S J 1 4 0 0 4 0	0 0 A - 2	3	S J 5 1 0 0 0 0	1 1 B - 2	8
S J 1 4 0 0 5 0	0 0 A - 1	1	S J 7 1 0 0 0 1	1 2	1
S J 1 4 0 0 5 0	0 0 A - 2	1			
S J 1 4 0 0 6 0	0 0 A - 1	2			
S J 1 4 0 0 6 0	0 0 A - 2	2			
S J 1 6 0 0 0 0	0 0 A - 1	4			
S J 1 6 0 0 1 0	0 0 A - 1	4			
S J 1 6 0 0 3 0	0 8 - 1	4			
S J 1 6 0 0 4 0	0 0 A - 1	19			
S J 1 6 0 0 5 0	0 0 A - 2	4			
S J 2 1 0 0 2 0	0 1 A	17			
S J 2 1 0 0 3 0	0 1 A	18			
S J 2 1 0 0 4 0	0 2 A	18			
S J 2 2 0 0 1 0	0 1 A	6			
S J 2 4 0 0 1 0	0 6	21			
S J 2 5 0 0 0 0	0 4 D	13			
S J 2 5 0 0 1 0	0 4 D	13			
S J 2 5 0 0 2 0	0 4 D	13			
S J 2 5 0 0 3 0	0 4 D	13			
S J 2 5 0 0 4 0	0 8 - 1	18			
S J 2 5 0 0 4 0	0 8 - 2	18			
S J 2 5 0 0 5 0	0 2 B	14			
S J 2 5 0 0 6 0	1 0 C	1			
S J 2 5 0 0 7 0	1 0 K	12			
S J 2 5 0 0 8 0	0 8 - 2	22			
S J 2 5 0 0 9 0	1 0 C	2			
S J 3 2 0 0 1 0	0 1 A	12			
S J 3 3 0 0 2 0	0 7	9			
S J 4 8 0 0 0 0	1 0 C	13			
S J 4 8 0 0 0 0	1 0 D	9			
S J 4 8 0 0 0 0	1 0 E	9			
S J 4 8 0 0 0 0	1 0 F	10			
S J 4 8 0 0 0 0	1 0 K	4			
S J 4 8 0 0 1 0	1 0 C	7			
S J 4 8 0 0 1 0	1 0 D	3			
S J 4 8 0 0 1 0	1 0 E	3			